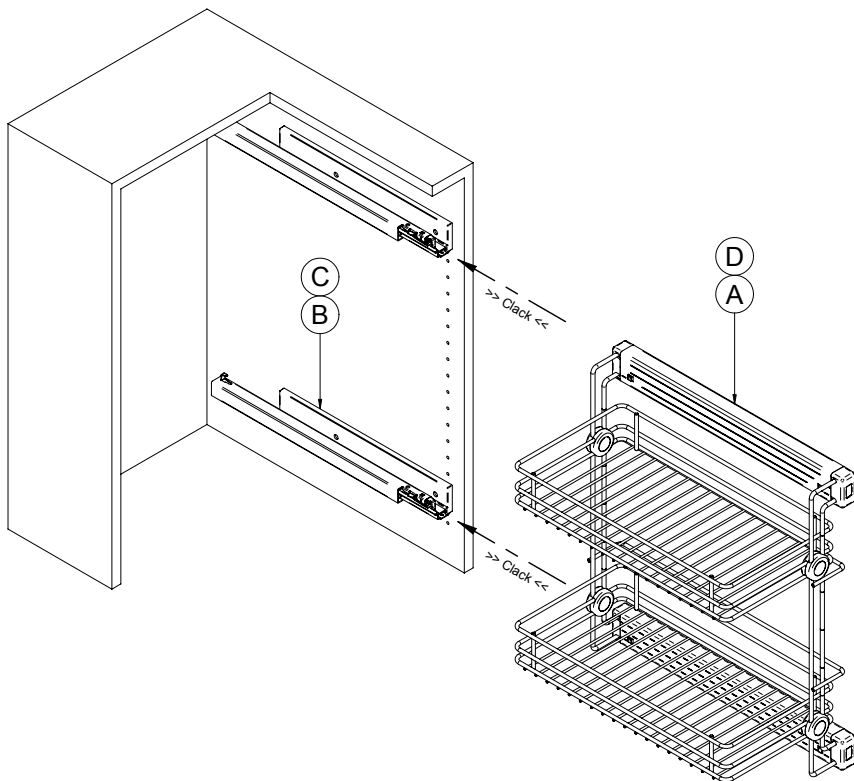
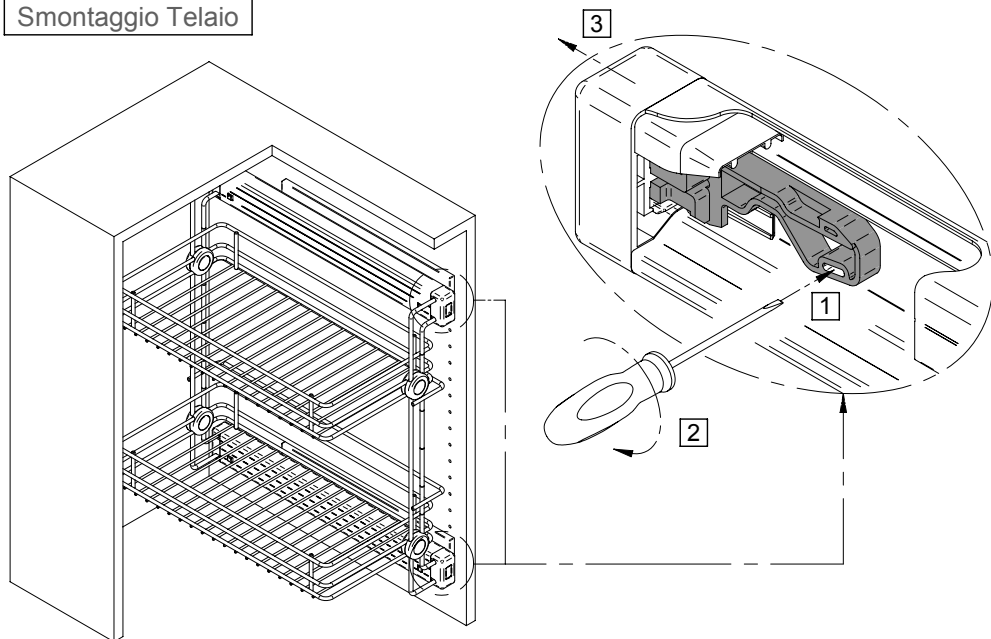


V



Smontaggio Telaio

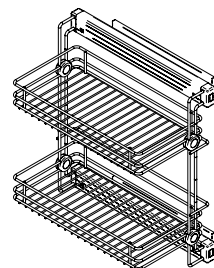


Portata massima:  
Maximum load:  
Charge maxi:  
Maximale belastbarkeit:  
Carga maxima:

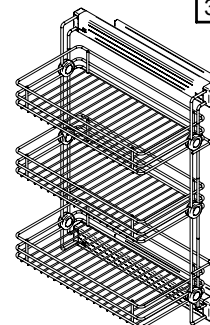
2P	10 Kg
3P	15 Kg

**Istruzioni di montaggio**  
Assembling instructions  
Notice de montage  
Montageanleitung  
Manual de montaje

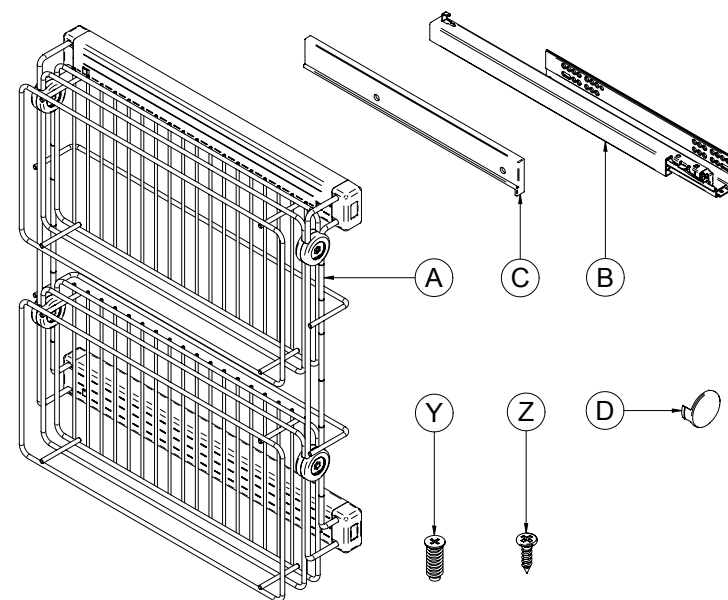
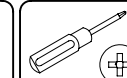
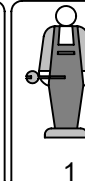
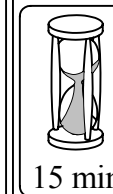
2P



3P



ACL2SMDX... - ACL2SMSX...  
ACL3SMDX... - ACL3SMSX...  
ASL3SMDX... - ASL3SMSX...  
ASL3SMDX... - ASL3SMSX...



**PRIMA DI COMINCIARE, VEDERE I CONSIGLI DI MONTAGGIO**

BEFORE STARTING, REFER TO THE ASSEMBLING ADVICE IN ANNEX

AVANT DE COMMENCER, SE REPORTER AUX CONSEILS DE MONTAGE EN ANNEXE

VOR DIE MONTAGE, BITTE BEILIEGENDE ANWEISUNGEN FOLGEN

ANTES DE EMPEZAR, CONSULTE LOS CONSEJOS PARA EL MONTAJE

A x 1	B x 2	C x 2	D x 8						
								Y x 2	Z x 8

