













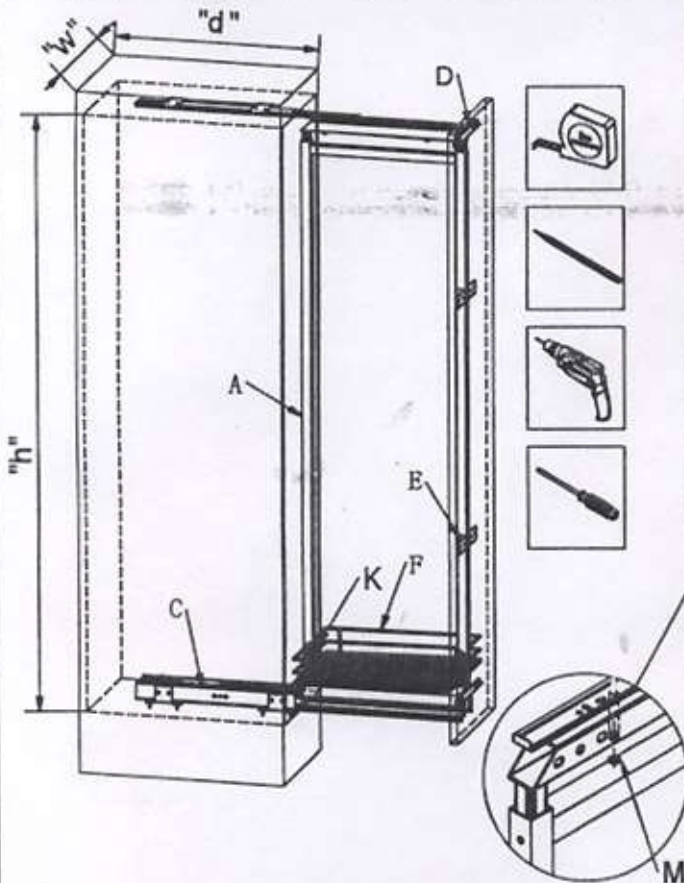
Assembly manual for PTJ012D、E、F、G、H、I、KPTJ012D、E

1. Accessories of product

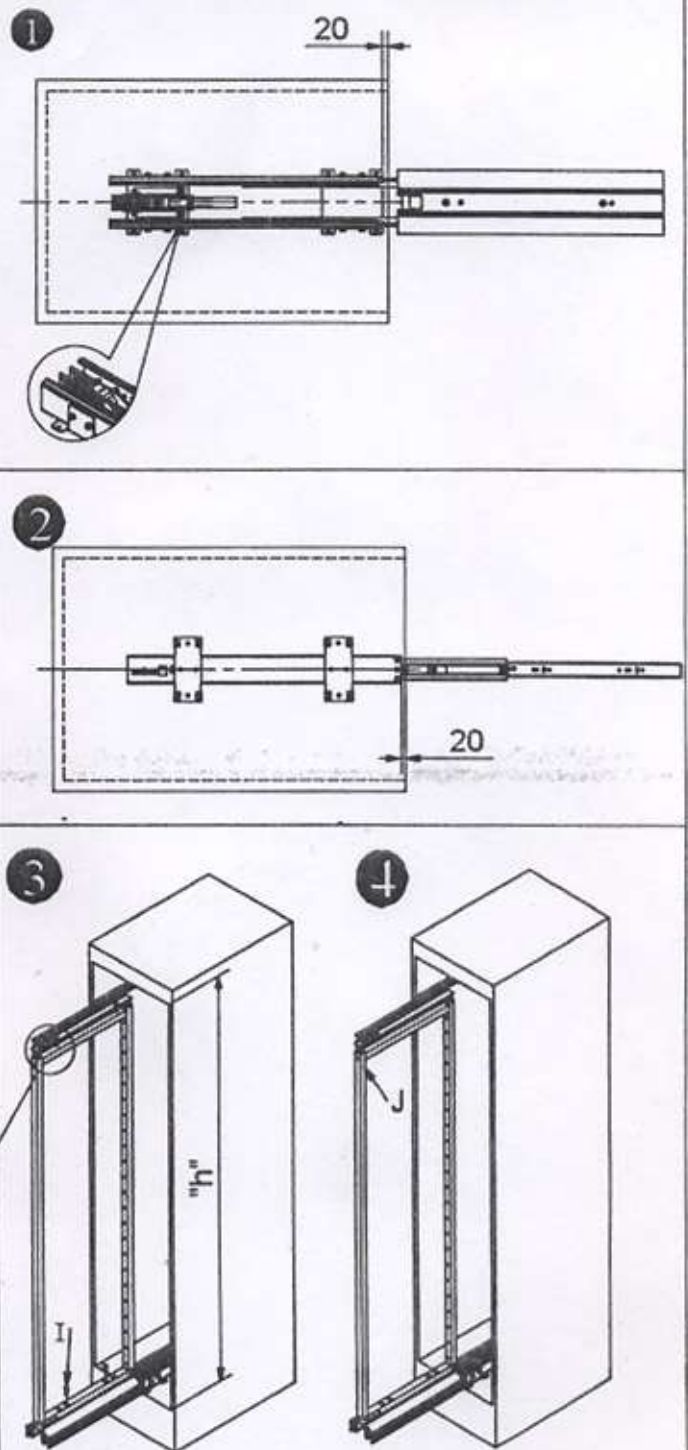
A. (1pcs) 	B. (1pcs) 	C. (1pcs) 	D. (2pcs) 	E. (2pcs) 	F. 	G. (32pcs) 	H. (6pcs) 
	I. (2pcs) 	J. (2pcs) 	K. 	M. (2pcs) 			

2. fix the outrail

Item No	"d" the depth of inside cabinet	"w" the width of inside cabinet	"h" the height of inside cabinet	"b" the minimum inside the
KPTJ012D	480	400	1850~2200	365
KPTJ012D-300	480	300	1850~2200	265
KPTJ012D-450	480	450	1850~2200	415
KPTJ012D-500	480	500	1850~2200	465
PTJ012D	480	400	1700~2000	365
PTJ012F	480	400	1400~1700	365
PTJ012F-300	480	300	1400~1700	265
PTJ012F-500	480	500	1400~1700	465
PTJ012H	480	400	1150~1350	365
PTJ012H-500	480	500	1150~1350	465
PTJ012H-550	480	550	1150~1350	515
KPTJ012E	450	300	1850~2200	265
PTJ012E	450	300	1700~2000	265
PTJ012G	450	300	1400~1700	265
PTJ012I	450	300	1150~1350	265



3. Fixing step



Assembly manual for PTJ012D, E, F, G, H, I, KPTJ012D, E

