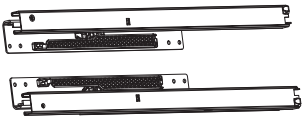
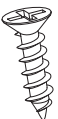

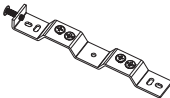




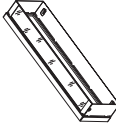







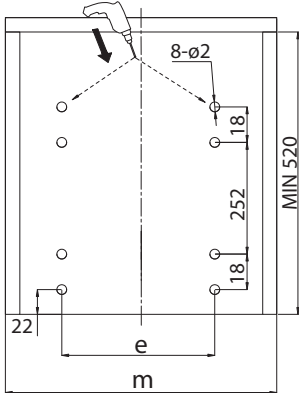
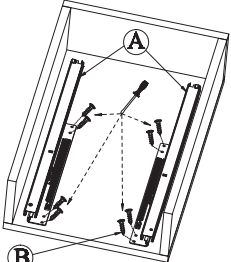
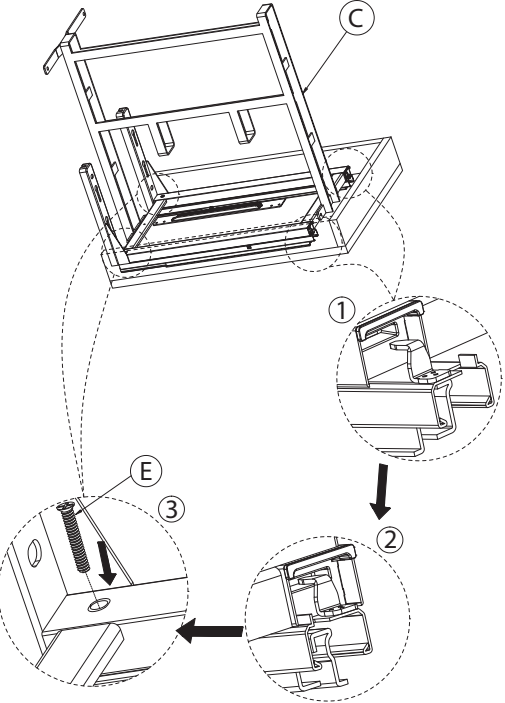
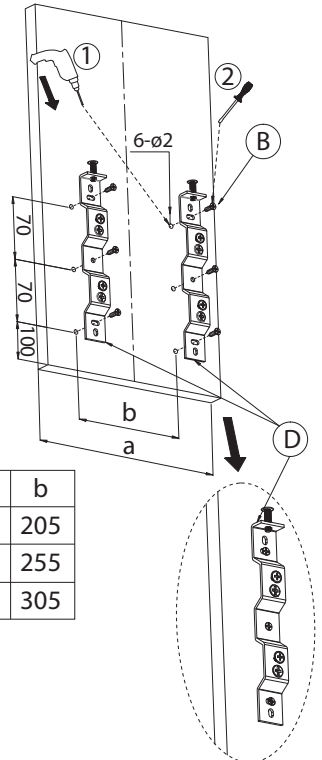
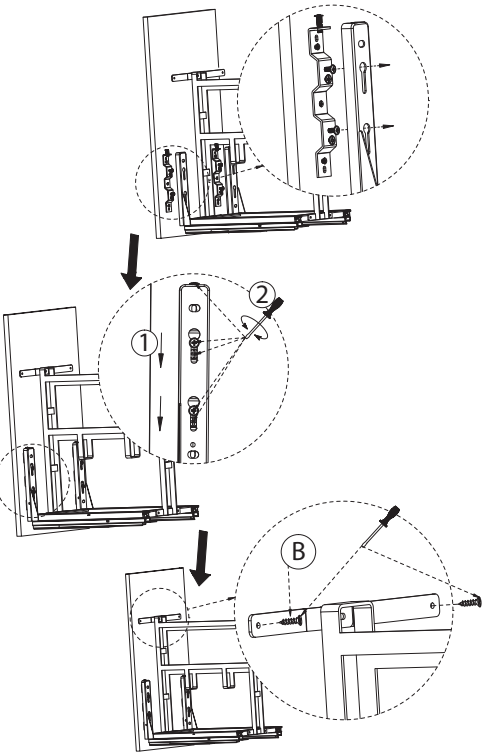


MATRIX

ВЫДВИЖНАЯ СИСТЕМА ДЛЯ КУХОННЫХ ПРИНАДЛЕЖНОСТЕЙ

A X1 Set 	B X16 	C X1 	D X2 	E X2 	F X2 	G X1 	H X1 	I X1 	J X1 	K X2 																	
1 		2 			3  			4 																			
 <table border="1" data-bbox="142 1091 270 1242"> <tr> <th>m</th> <th>e</th> </tr> <tr> <td>300</td> <td>146</td> </tr> <tr> <td>350</td> <td>196</td> </tr> <tr> <td>400</td> <td>246</td> </tr> </table> 		m	e	300	146	350	196	400	246				 <table border="1" data-bbox="1170 1091 1299 1242"> <tr> <th>a</th> <th>b</th> </tr> <tr> <td>300</td> <td>205</td> </tr> <tr> <td>350</td> <td>255</td> </tr> <tr> <td>400</td> <td>305</td> </tr> </table>			a	b	300	205	350	255	400	305				
m	e																										
300	146																										
350	196																										
400	246																										
a	b																										
300	205																										
350	255																										
400	305																										

