



DOMUS LINE
L I G H T S T Y L E



DOMUS Line Srl
Via Maestri del Lavoro, 1
33080 PORCIA _ PN _ Italy

phone 0039 0434 595911
fax 0039 0434 923345
e-mail info@domusline.com
website www.domusline.com

HARRY
SALLY

INSTALLATION MANUAL

EN

Ref. 3481400_r2



Protection class III device. Power must be supplied by a safe power supply.

Leuchte mit Schutzklasse III. Die Stromversorgung muss mit einem Sicherheits-Anschlusskabel geliefert werden.

Appareil avec classe de protection III. L'alimentation doit être fournie par un transformateur de sécurité.

Aparato de clase de protección III. La alimentación debe realizarse mediante un alimentador seguro.

Apparecchio in classe di protezione III. L'alimentazione deve essere fornita da un alimentatore di sicurezza.

Photobiological safety: The device belongs to the risk 0 group (EXEMPT) in accordance with the EN62471.

Photobiologische sicherheit: Die Leuchte gehört zur Risikogruppe 0 (KEINE) gemäß EN-Norm 62471.

Securite photobiologique: L'appareil fait partie du groupe de risque 0 (EXEMPT), conformément à la norme EN62471.

Seguridad fotobiológica: El aparato pertenece al grupo de riesgo 0 (EXENTO) según la norma EN62471.

Sicurezza fotobiologica: L'apparecchio appartiene al gruppo di rischio 0 (ESENTE), secondo la norma EN62471.



The product must be disposed of separately from urban waste, delivering it to the collection centres established by the prevailing standard.

Adequate sorted waste collection contributes to preventing negative effects on the environment and health and favours reuse and/or recycling materials. Incorrect disposal of the product implies the application of the administrative sanctions envisaged by the prevailing regulation.

Die Leuchte muss getrennt vom Hausmüll entsorgt und entsprechend der geltenden Richtlinien, an den vorgesehenen Sammelstellen abgegeben werden. Die angemessene getrennte Sammlung trägt dazu bei, eventuelle negative Auswirkungen auf die Umwelt und die Gesundheit zu vermeiden und die Wiederverwendung und/oder das Recycling der Materialien zu begünstigen. Die unsachgemäße Entsorgung bringt die Anwendung administrativer Strafen mit sich, die in den geltenden Richtlinien vorgesehen sind.

Le produit doit être collecté séparément et non jeté avec les déchets ménagers en le portant dans les déchetteries prévues par la réglementation en vigueur. Un tri sélectif approprié contribue à éviter des possibles effets négatifs sur l'environnement et sur la santé et favorise la réutilisation et/ou le recyclage des matériaux. L'élimination abusive entraîne l'application des sanctions administratives prévues par la réglementation en vigueur.

Se debe desechar el producto de forma separada de los residuos urbanos; se lo debe entregar en los centros de recolección previstos por la norma en vigor. La recolección diferenciada adecuada contribuye a evitar posibles efectos negativos en el medioambiente y en la salud y favorece la reutilización y/o el reciclaje de los materiales. Si se lo desecha en forma abusiva tendrá como consecuencia la aplicación de sanciones administrativas previstas por la normativa vigente.

Il prodotto deve essere smaltito separatamente dai rifiuti urbani consegnandolo ai centri di raccolta previsti dalla normativa in vigore.

L'adeguata raccolta differenziata contribuisce ad evitare possibili effetti negativi sull'ambiente e sulla salute e favorisce il reimpiego e/o il riciclo dei materiali. Lo smaltimento abusivo comporta l'applicazione delle sanzioni amministrative previste dalla normativa vigente.



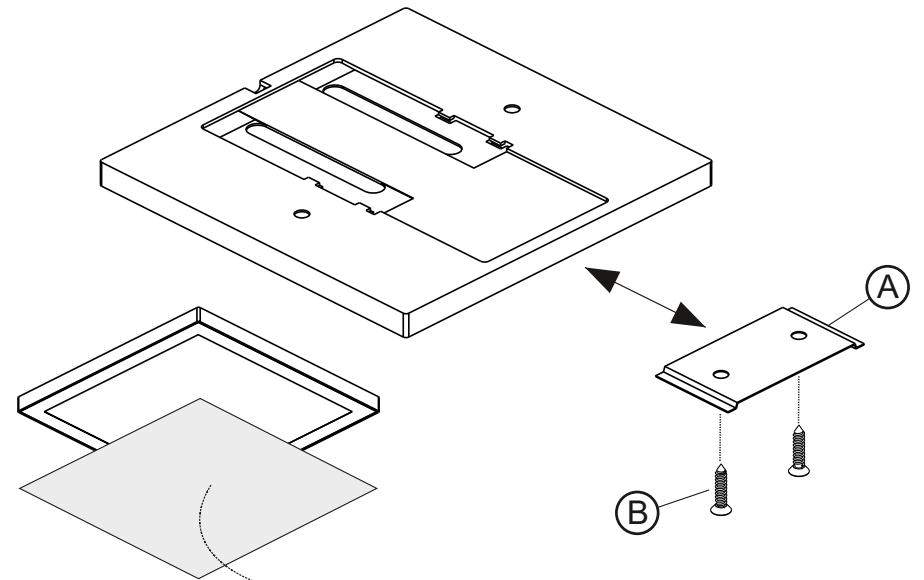
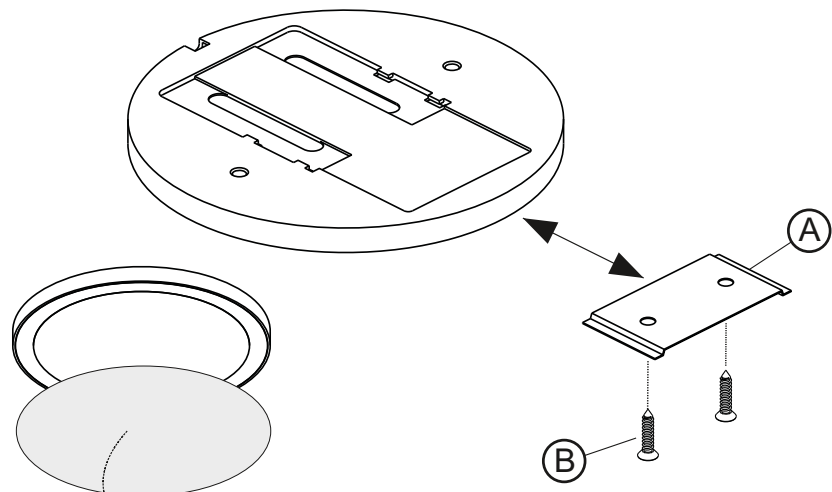
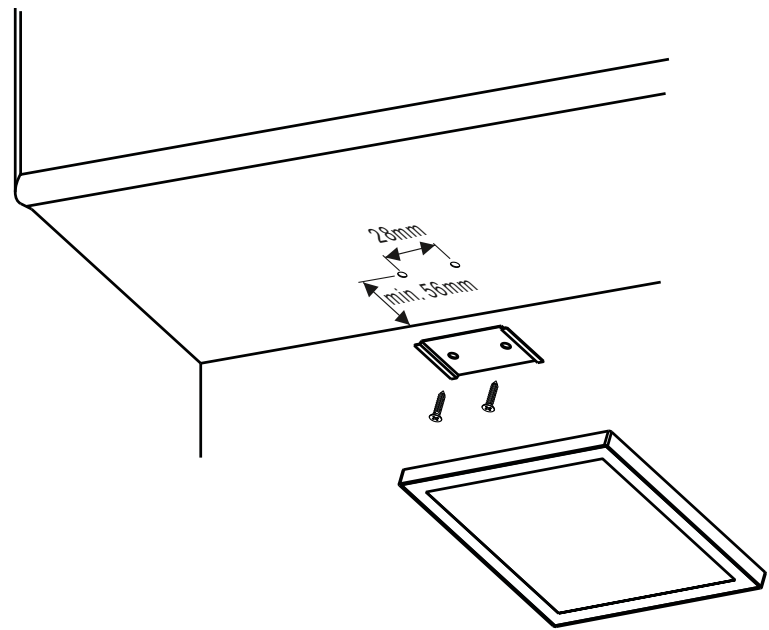
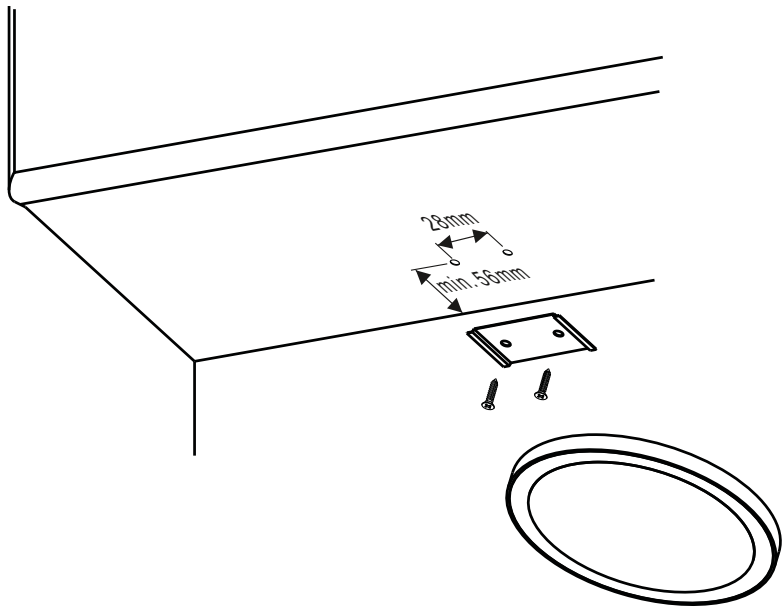
Device only for indoor installation.

Leuchte nur für die Installation im Innenbereich.

L'appareil doit être uniquement installé à l'intérieur.

Aparato para un solo uso en un ambiente interior.

Apparecchio per sola installazione in ambiente interno.



► **WARNING:** remove film protection before installing

► **WARNING:** remove film protection before installing

Fig 1

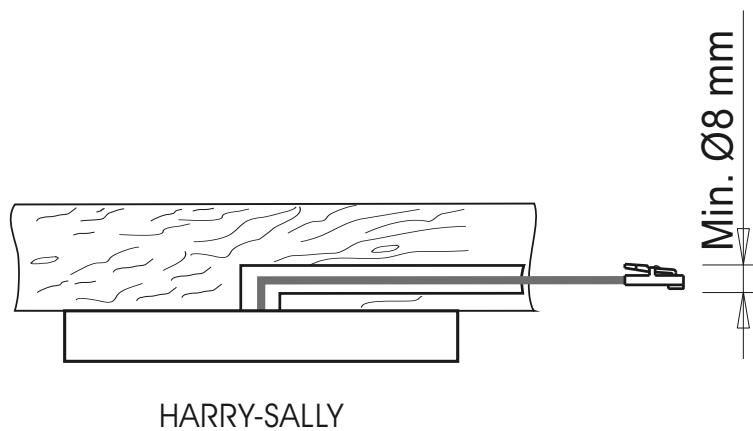
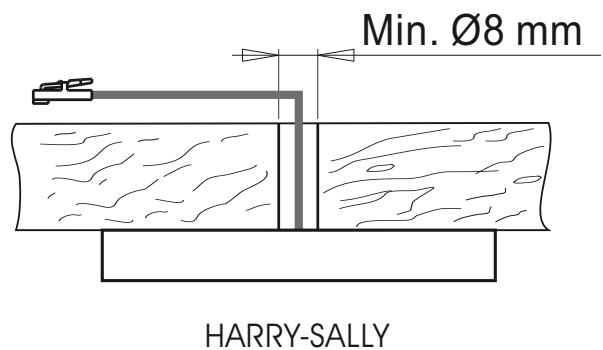


Fig 2

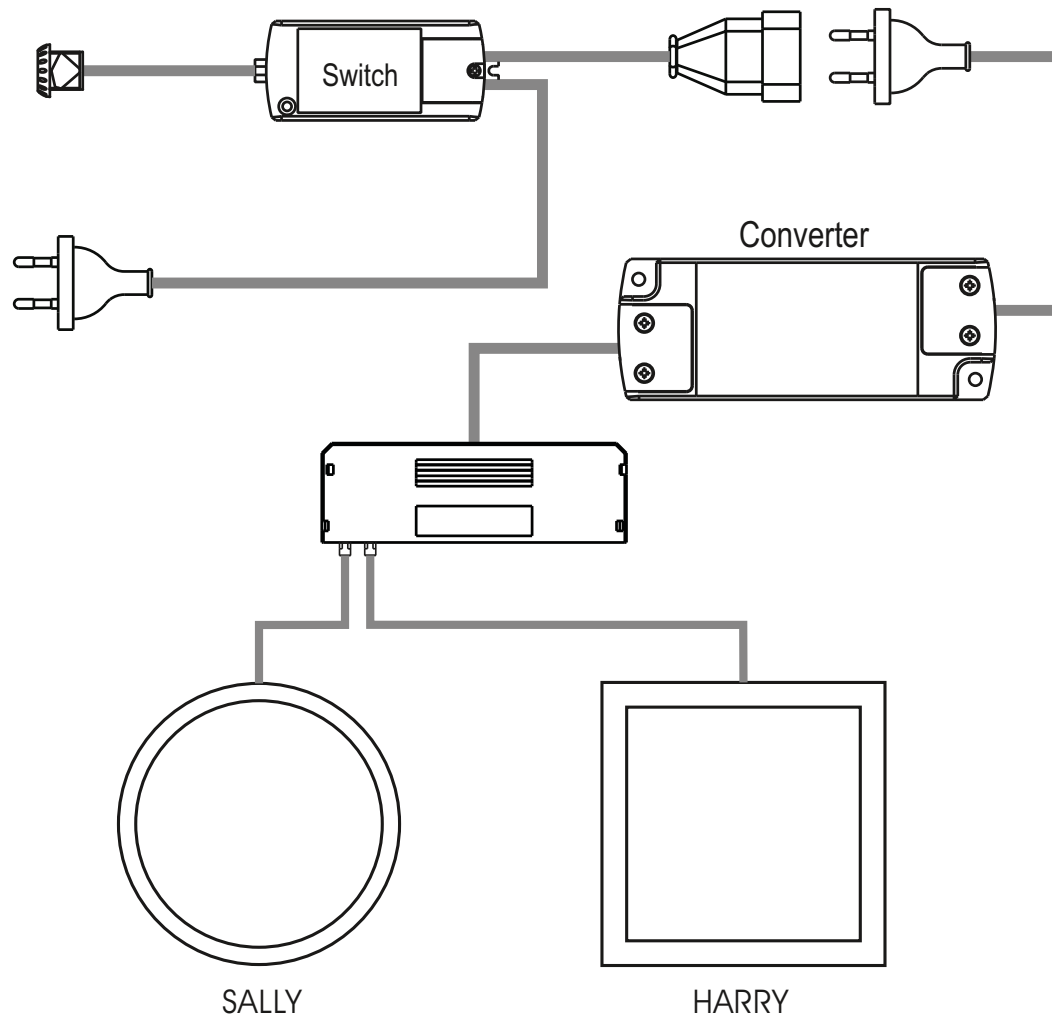


Fig 3

WARNING:

Safety is guaranteed if these instructions are followed and therefore they must be kept. Installation may require the involvement of qualified personnel. Before proceeding with installation of the device ensure that the environmental conditions are in compliance with and suitable for the product characteristics. Before any operation on the device disconnect mains power.

INSTALLATION:

- Fasten the bracket (A), using the screws in the pack (B), on the installation surface in the position wanted (fig.1)

The installation can be carried out with the light power supply cable in both an axial or radial position with respect to the installation surface. In the event of a specific requirement a power wire exit hole can nevertheless be drilled in other positions as long as it does not compromise the integrity of the wire and/or the connector installed on it (fig.2)

CONNECTING THE DEVICE TO THE POWER SUPPLY

- Connect **HARRY-SALLY** only to a safe power supply with 24Vdc stabilised voltage (sold separately) and with power at least 10% higher than the total load. For the total load calculation check plate data printed on the product label.

- If more than one device must be connected to the power supply ensure that the total sum of the power absorbed by the devices (check the plate data shown on the product label) does not exceed the maximum power permitted by the Converter.

WARNING

- The LED module of these devices is not replaceable.
- The external flexible cable is not replaceable.
- In case of failure it must be entirely replaced the entire unit.

WARRANTY:

The warranty on the device is valid only if powered by a power supply provided by DOMUS Line. The warranty's general terms and conditions for this device are available at www.domusline.com