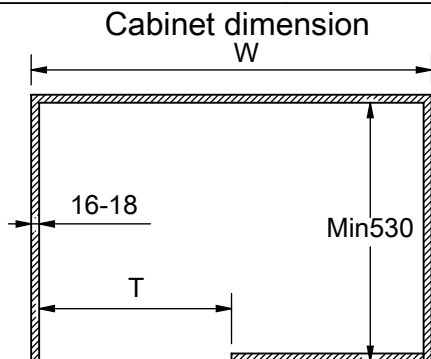
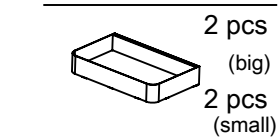
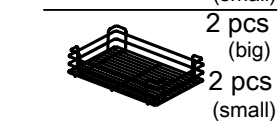
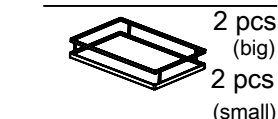
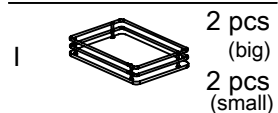
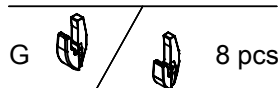
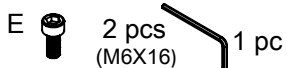
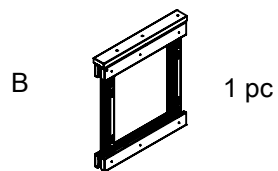
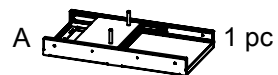
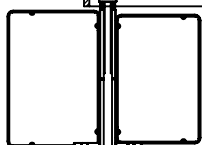
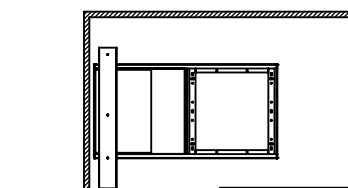
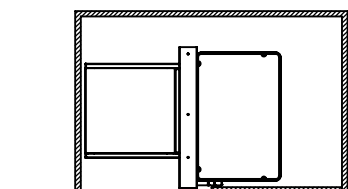


ИНСТРУКЦИЯ ПО МОНТАЖУ МАКМАРТ UNIVERSAL CORNER

Components



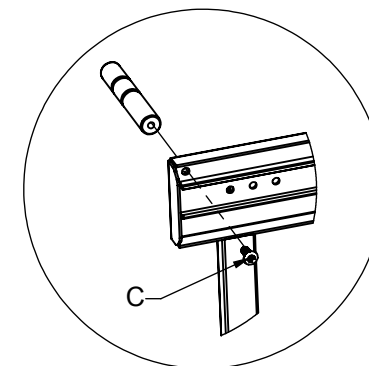
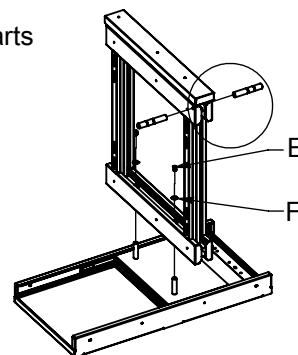
Inner H	≥650	
W	800	900-1000
T	≥382	≥432



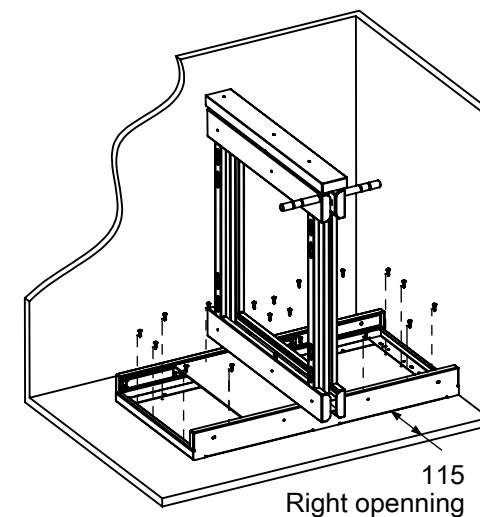
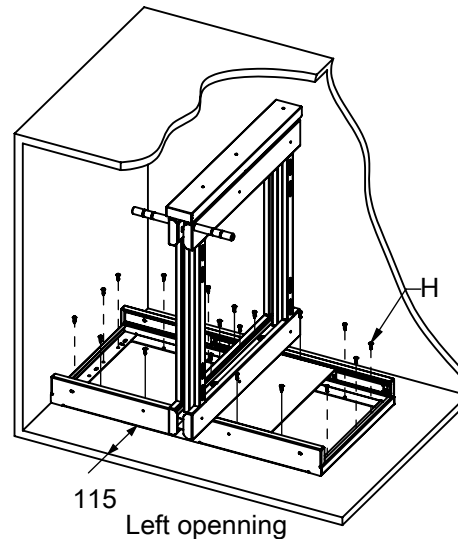
⚠ Put the big baskets beside the door.

Installation steps:

① Assemble the parts



② Fix the parts into the cabinet



③ Hang on the baskets

