



DOMUS LINE
L I G H T S T Y L E



DOMUS LINE Srl
Via Maestri del Lavoro, 1
33080 PORCIA _ PN _ Italy

phone 0039 0434 595911
fax 0039 0434 923345
e-mail info@domusline.com
website www.domusline.com

LOOP
PULSE

INSTALLATION MANUAL

EN

Ref. 3476400_r4



Protection class III device. Power must be supplied by a safe power supply.

Leuchte mit Schutzklasse III. Die Stromversorgung muss mit einem Sicherheits-Anschlusskabel geliefert werden.

Appareil avec classe de protection III. L'alimentation doit être fournie par un transformateur de sécurité.

Aparato de clase de protección III. La alimentación debe realizarse mediante un alimentador seguro.

Apparecchio in classe di protezione III. L'alimentazione deve essere fornita da un alimentatore di sicurezza.



Device only for indoor installation.

Leuchte nur für die Installation im Innenbereich.

L'appareil doit être uniquement installé à l'intérieur.

Aparato para un solo uso en un ambiente interior.

Apparecchio per sola installazione in ambiente interno.

IP44

The device is protected against water spray.

Die Leuchte ist gegen Wasserspritzer geschützt.

L'appareil est protégé contre les projections d'eau.

Está protegido contra el rociado de agua.

L'apparecchio è protetto contro gli spruzzi d'acqua.

Photobiological safety: The device belongs to the risk 0 group (EXEMPT) in accordance with the EN62471.

Photobiologische Sicherheit: Die Leuchte gehört zur Risikogruppe 0 (KEINE) gemäß EN-Norm 62471.

Securite photobiologique: L'appareil fait partie du groupe de risque 0 (EXEMPT), conformément à la norme EN62471.

Seguridad fotobiológica: El aparato pertenece al grupo de riesgo 0 (EXENTO) según la norma EN62471.

Sicurezza fotobiologica: L'apparecchio appartiene al gruppo di rischio 0 (ESENTE), secondo la norma EN62471.



The product must be disposed of separately from urban waste, delivering it to the collection centres established by the prevailing standard.

Adequate sorted waste collection contributes to preventing negative effects on the environment and health and favours reuse and/or recycling materials. Incorrect disposal of the product implies the application of the administrative sanctions envisaged by the prevailing regulation.

Die Leuchte muss getrennt vom Hausmüll entsorgt und entsprechend der geltenden Richtlinien, an den vorgesehenen Sammelstellen abgegeben werden. Die angemessene getrennte Sammlung trägt dazu bei, eventuelle negative Auswirkungen auf die Umwelt und die Gesundheit zu vermeiden und die Wiederverwendung und/oder das Recycling der Materialien zu begünstigen. Die unsachgemäße Entsorgung bringt die Anwendung administrativer Strafen mit sich, die in den geltenden Richtlinien vorgesehen sind.

Le produit doit être collecté séparément et non jeté avec les déchets ménagers en le portant dans les déchetteries prévues par la réglementation en vigueur. Un tri sélectif approprié contribue à éviter des possibles effets négatifs sur l'environnement et sur la santé et favorise la réutilisation et/ou le recyclage des matériaux. L'élimination abusive entraîne l'application des sanctions administratives prévues par la réglementation en vigueur.

Se debe desechar el producto de forma separada de los residuos urbanos; se lo debe entregar en los centros de recolección previstos por la norma en vigor. La recolección diferenciada adecuada contribuye a evitar posibles efectos negativos en el medioambiente y en la salud y favorece la reutilización y/o el reciclaje de los materiales. Si se lo desecha en forma abusiva tendrá como consecuencia la aplicación de sanciones administrativas previstas por la normativa vigente.

Il prodotto deve essere smaltito separatamente dai rifiuti urbani consegnandolo ai centri di raccolta previsti dalla normativa in vigore.

L'adeguata raccolta differenziata contribuisce ad evitare possibili effetti negativi sull'ambiente e sulla salute e favorisce il reimpiego e/o il riciclo dei materiali. Lo smaltimento abusivo comporta l'applicazione delle sanzioni amministrative previste dalla normativa vigente.

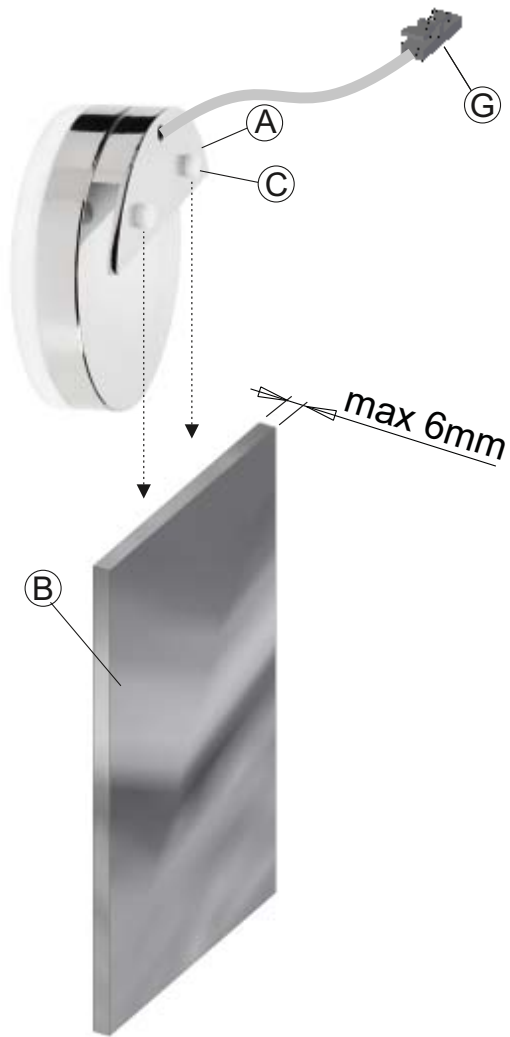


Fig 1

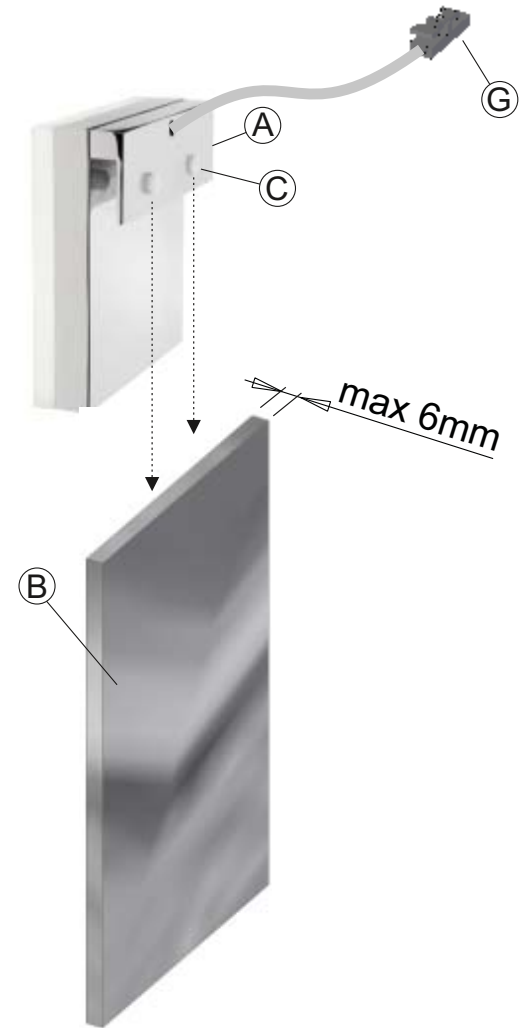


Fig 2

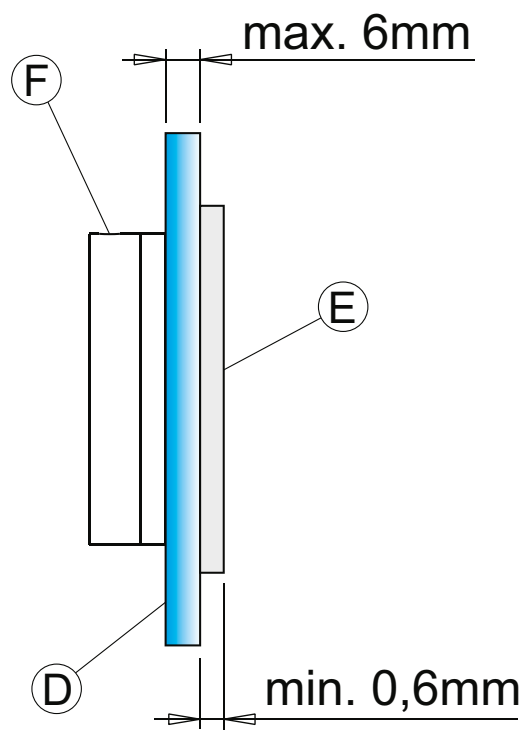


Fig 3



Fig 4



Fig 5

WARNING

Safety is guaranteed if these instructions are followed and therefore they must be kept. Installation may require the involvement of qualified personnel. Before proceeding with installation of the device, ensure that the environmental conditions are in conformity with and suitable for the characteristics of the product. Before any operation on the device disconnect mains power.

DEVICE WITH MAGNET

The **LOOP Magnet** and **PULSE Magnet** models refer to configurations of the devices fitted with a magnet. We therefore recommend not keeping devices or any type of magnet-sensitive support, such as credit cards, mass storage devices, mechanical timepieces, measuring devices, etc. in the immediate vicinity of these lighting devices. The minimum recommended distance is at least 10cm from the device in order to prevent damage should these devices come into contact with these products.

CONFIGURATIONS

The installation and operation instructions in this manual are valid for all configurations of the **LOOP** and **PULSE devices**, between which there are some differences. The **LOOP** and **PULSE** models refer to the configurations of the devices fitted with mounting systems for direct installation on the edge of the mirror. The **LOOP Magnet** and **PULSE Magnet** models refer to configurations of the devices fitted with a magnet for direct installation on the mirror surface appropriately fitted with a rear metallic sheet.

INSTALLATION OF LOOP AND PULSE

The **LOOP** and **PULSE devices** can be installed directly on the edge of the glass of a mirror no thicker than 6 mm.

- Position the device's clamp (A) on the mirror (B) as illustrated in figures 1 and 2 and then tighten the bracket using the grub screws (C). Ensure that the grub screws (C) are suitably secured for the purpose of guaranteeing installation of the device.

INSTALLATION OF LOOP Magnet AND PULSE Magnet

The **LOOP Magnet** and **PULSE Magnet** devices can be installed directly on the surface of the glass of a mirror appropriately fitted with a metallic sheet. The device is guaranteed to adhere perfectly for installation on mirrors no thicker than 6 mm with a ferrous metallic sheet applied on the back at least 0.6 mm thick.

- On the rear of the mirror (D) install a ferrous metallic sheet (E) at least 0.6 mm thick in correspondence with the point where you intend to mount the light (F) as illustrated in figure 3.
- Apply the device on the surface of the mirror, taking care not to allow the power cable to come into contact with sharp edges.

CONNECTION OF THE DEVICE TO THE POWER SUPPLY

- Connect **LOOP** and **PULSE** only to a safe power supply with **12Vdc** stabilised voltage (sold separately) and with power at least 10% higher than the total load. For the total load calculation check plate data printed on the product label.
- **LOOP** and **PULSE** have a connector (G) that allows connection to a DOMUS Line compatible power supply.

Check the type of connector and select a type of power supply compatible with it. For more information go to www.domusline.com or contact us.

- If more than one device must be connected to the power supply ensure that the total sum of the power absorbed by the devices (check the plate data shown on the product label) does not exceed the maximum power permitted by the Converter.
- DOMUS Line guarantees the product only if powered with a Converter supplied by us.

WARNING

- The LED module for these devices cannot be replaced and therefore in the event of failure the entire device must be completely replaced.
- Do not use the device if the power cable and/or the connection cables are defective. Defective cables and/or connectors must be immediately replaced by qualified personnel authorised by DOMUS Line.
- Never run any cable through sharp corners and edges.
- Never run the cable over hot parts and always protect it against contact with liquids.

- Never move the device holding it by the cable.
- Never disconnect the device from the power supply pulling it by the cable.
- Never leave the device cable hanging from the mirror or in a position where it could be dangerous for children.
- Install the device in a position that is out of the reach of children.
- If the cable needs to be secured use only insulated clips or plastic cable ties.
- Ensure that the cable is not crushed between the wall and the mirror.
- Never use extension cables that are not compatible with the original connection system.
- Before cleaning the device ensure that you have switched it off and wait until it has cooled.
- Never immerse the device in water.
- To clean the metallic parts of the device use a soft and dry cloth and never, under any circumstances, use liquid detergents, abrasive products or similar items that could irreparably scratch and damage the surface.
- For stubborn dirt a cloth slightly dampened with water may

be used. In this case, never bring the cloth into contact with the live electrical parts (cables, connectors, etc.) and after cleaning, dry the device very well and ensure that no residual dampness remains.

WARRANTY

- The warranty on the device is valid only if powered by a power supply provided by DOMUS Line. The warranty's general terms and conditions for this device are available at www.domusline.com

CAUTION

Use only with 12Vdc Class 2 power unit.