

ИНСТРУКЦИЯ ПО МОНТАЖУ МАКМАРТ LARDER

450/600mm

Min.520mm

16-18mm

Max.105°

L Opening for Example

Layers	C Height(mm)
4	Min.1250
5	Min.1550
6	Min.1850

Basket Type:

Max.5KG

Max.10KG

A(x1) B(x1)

C(x1) D(x1) E(x1)

F(x2) G(x1) H(x1)

I(x5) J(x2) K(x2)

L(x2) M(x4) N(x3) O(x2) P(x4) Q(4x"n"set)

R(x34) (ST4*16)

S(x4) (M5*6)

T(x1) (6*16*2)

U(x3) (M6*12)

V(x2) (M6*25)

W(x2) (M6*35)

X(x6) (M6*16)

Z("n"set)

1

C2

C1

D

R

285

100

100

"X"

Layers	Size "X"
4	1225
5	1525
6	1825

Layers	Size "Y"
450	215
600	290

28

30

170

140

"Y"

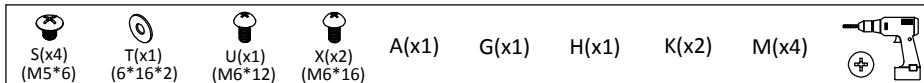
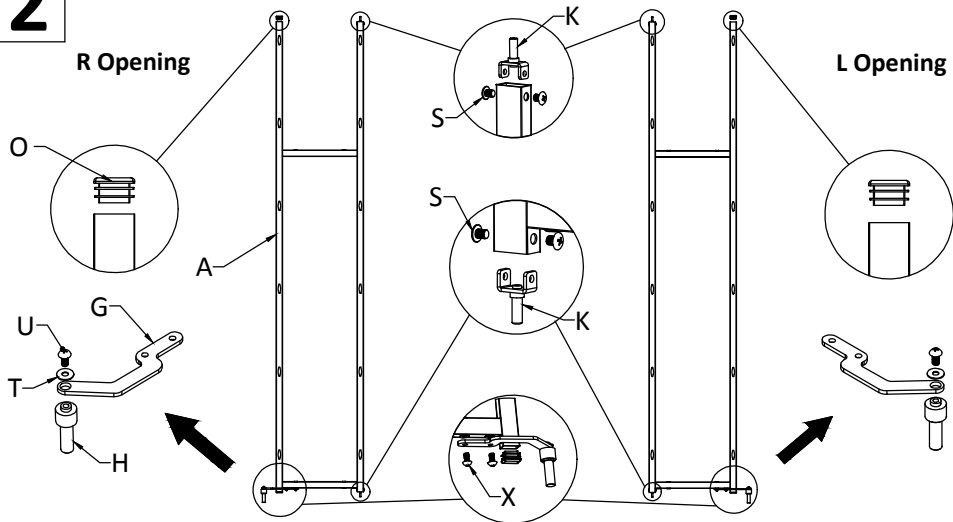
C1

R

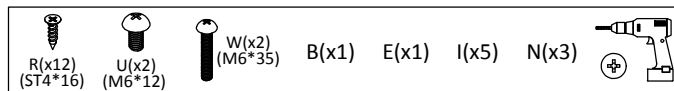
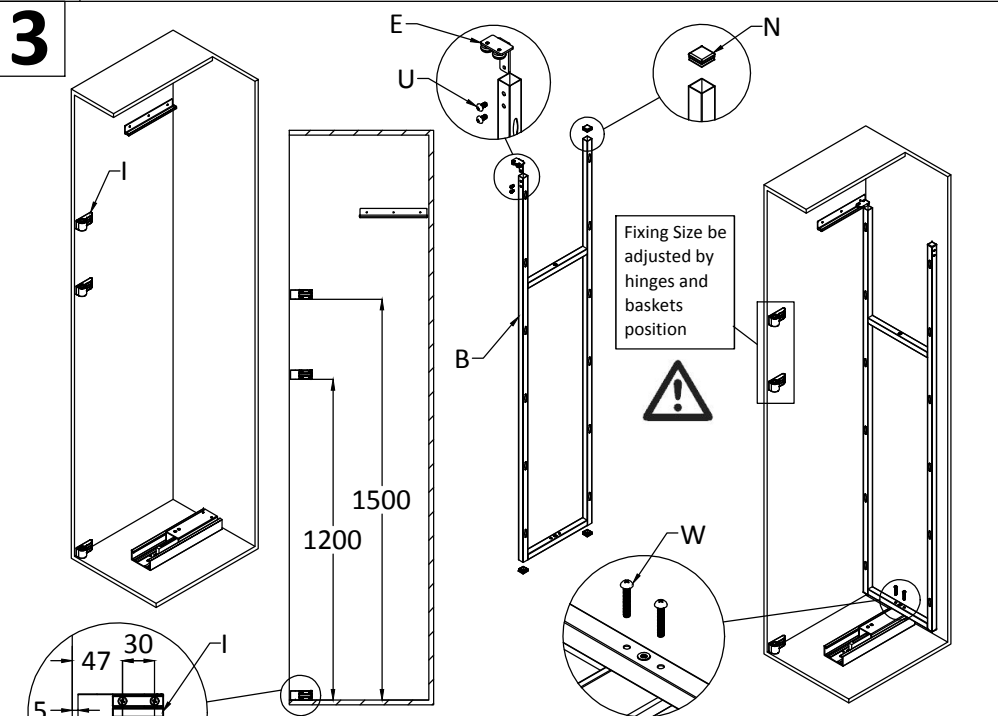
R(x14) (ST4*16)

C(x1) D(x1)

2

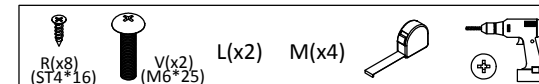
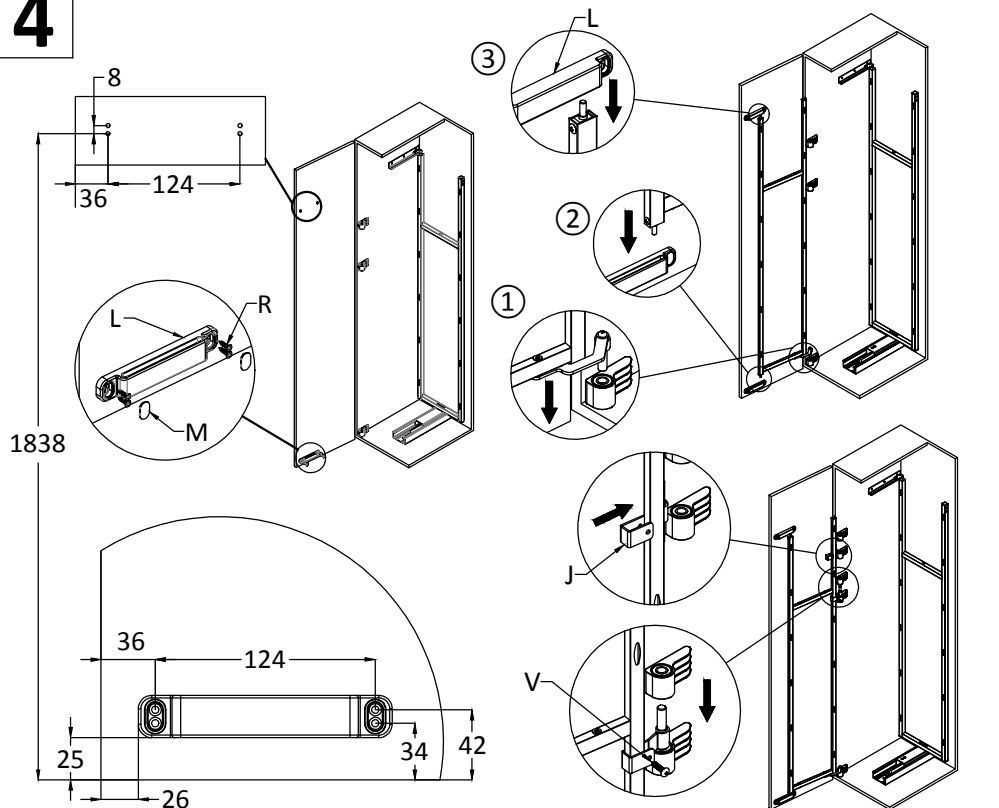


3

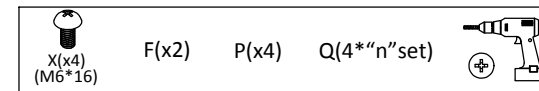
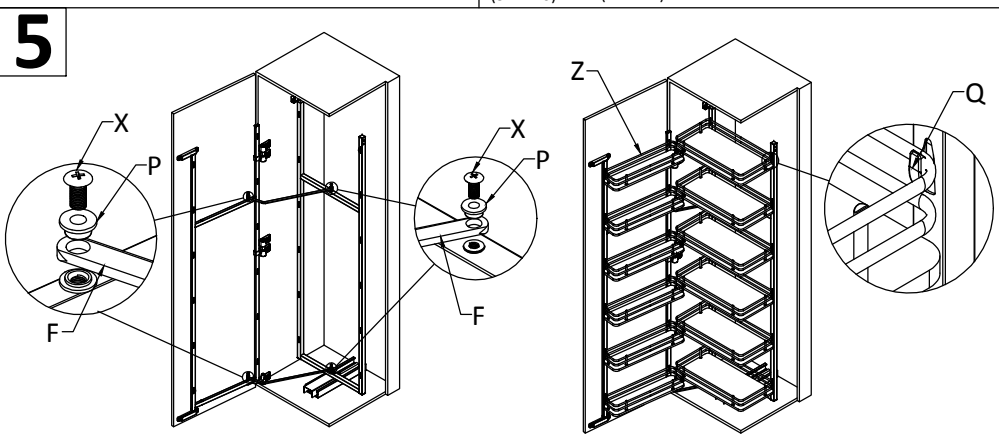


1 2 4

4



5



1 2 3 4