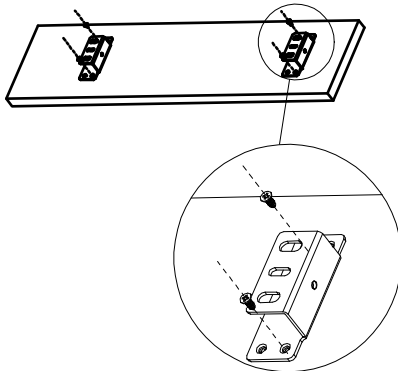
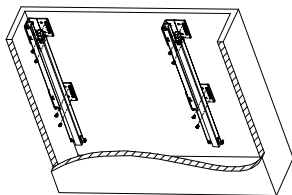
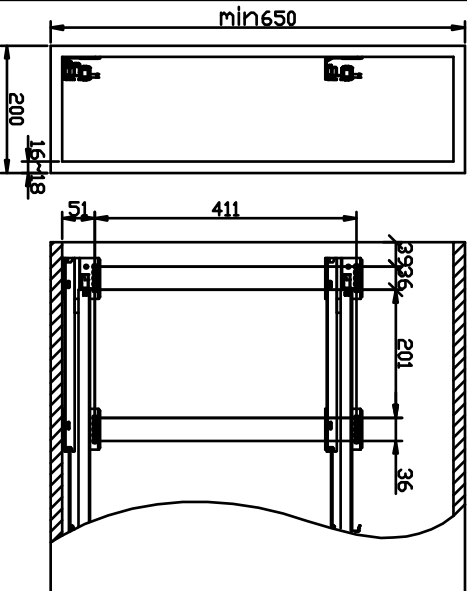
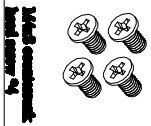
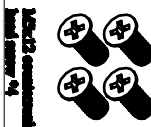
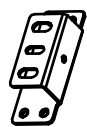
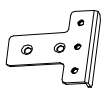
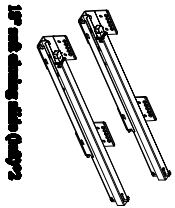
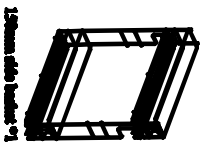


Installation instruction of WB2335S 200mm side basket (left)

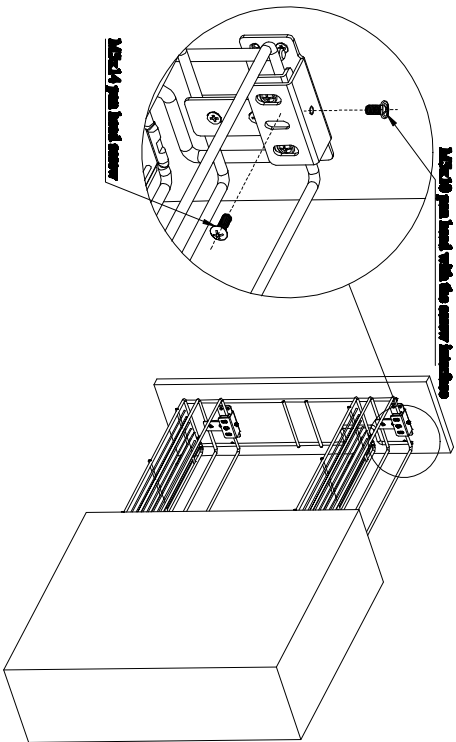
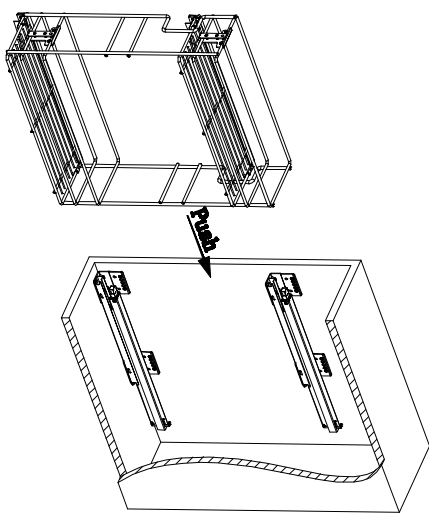
List of accessories



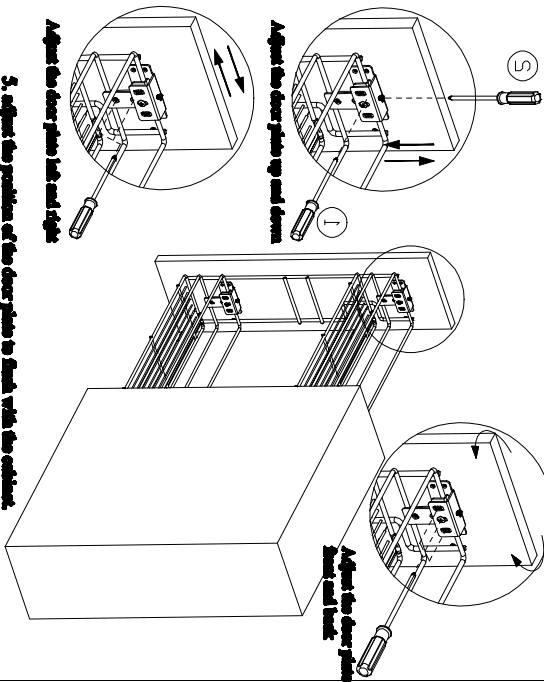
1. Use 8 pcs of 4x16 continuous hand tapping screws (K/A) to fix two slides on the side plate.

2. Use 4 sets of 4x16 continuous hand tapping screws (K/A) to fix two door connecting plates on the door plate.

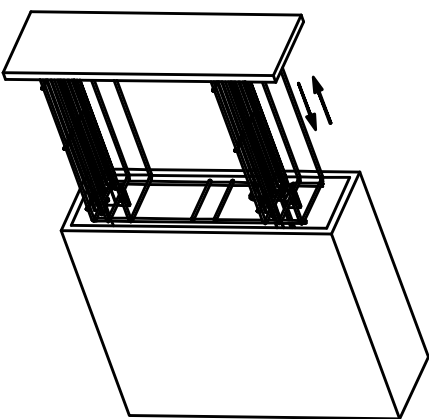
3. Install the side basket that is assembled with cover plate and adjusting plate on the slide.



4. Use two pcs of 15x14 pan head screws to fix door plate to basket and handle.



5. Adjust the position of the door plate to match with the cabinet.



6. Finished