



www.pellyindustri.se



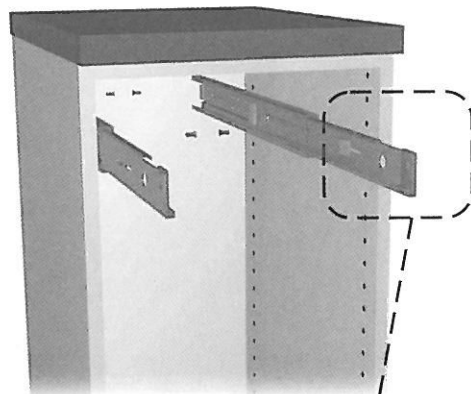
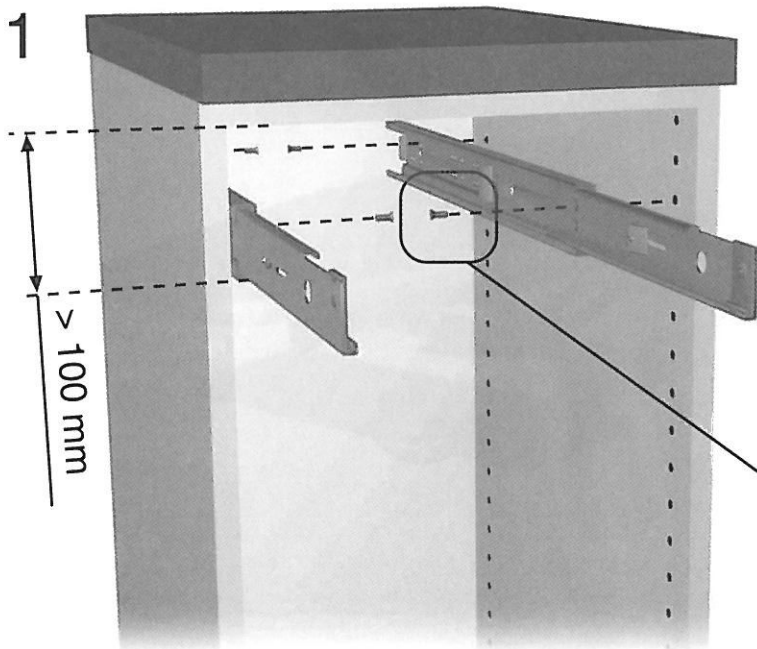
4x



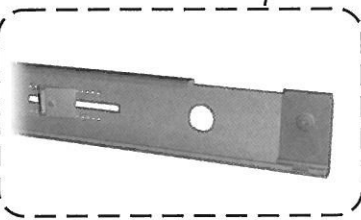
4x



1

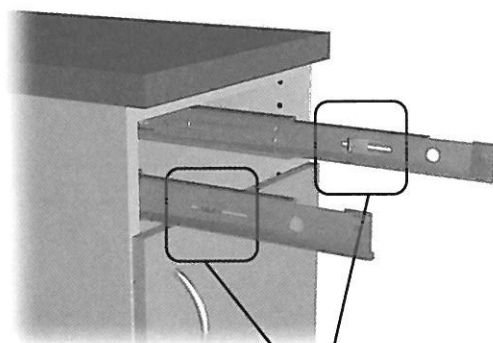
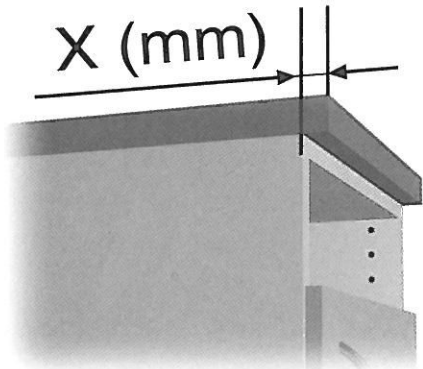


4x



2

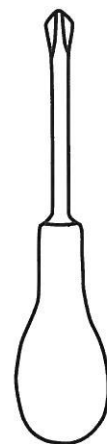
X (mm)



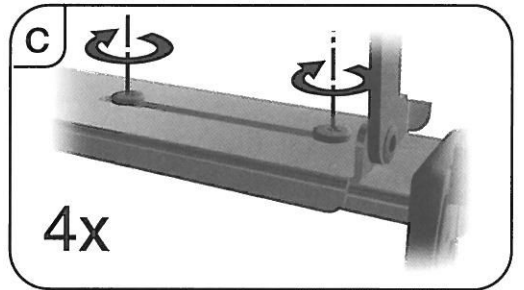
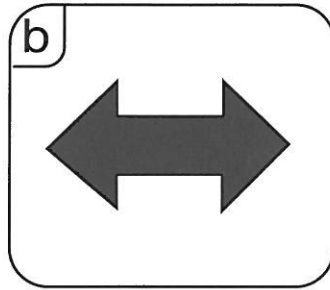
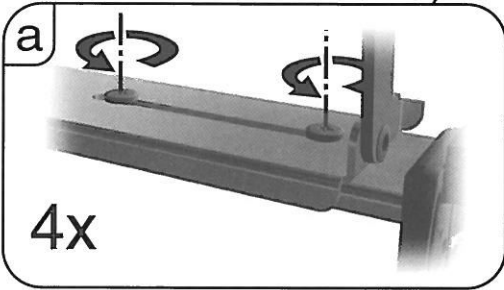
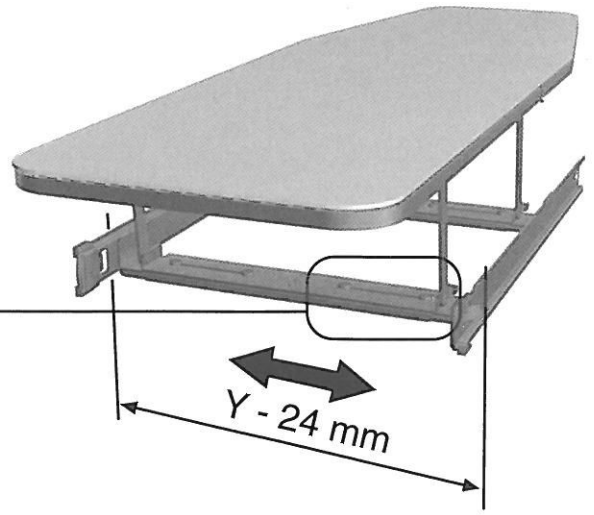
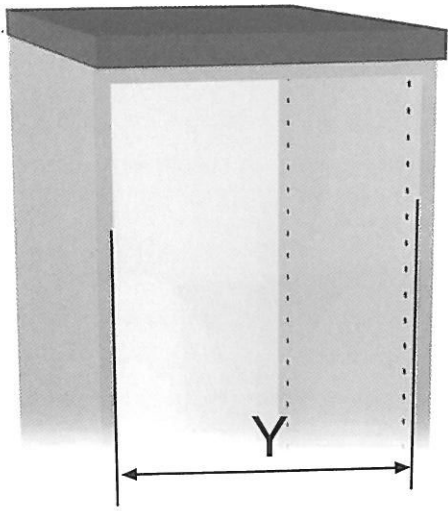
X =

0-3	4-6
7-10	11-14
15-18	19-22
23-26	27-30
31-34	35-38
39-42	43-46
47-50	51-54

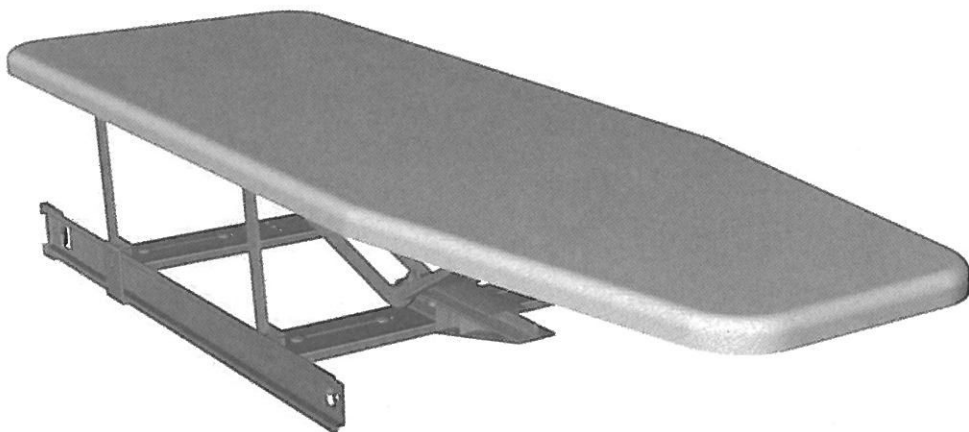
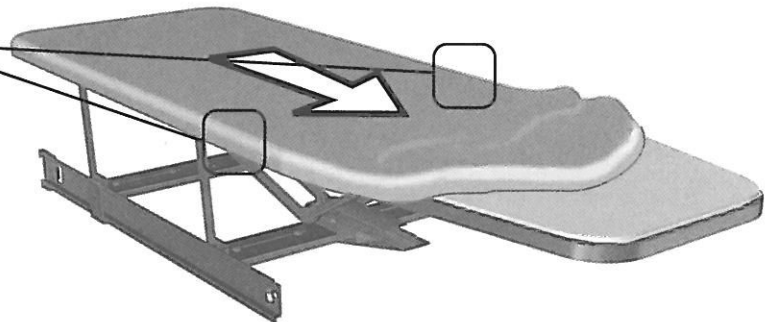
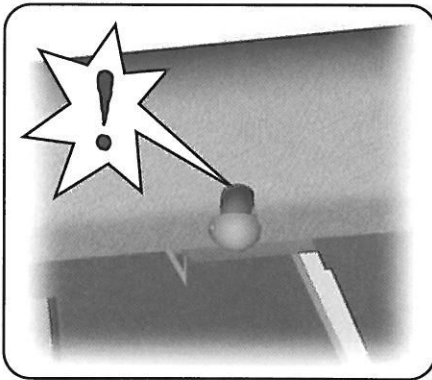
mm



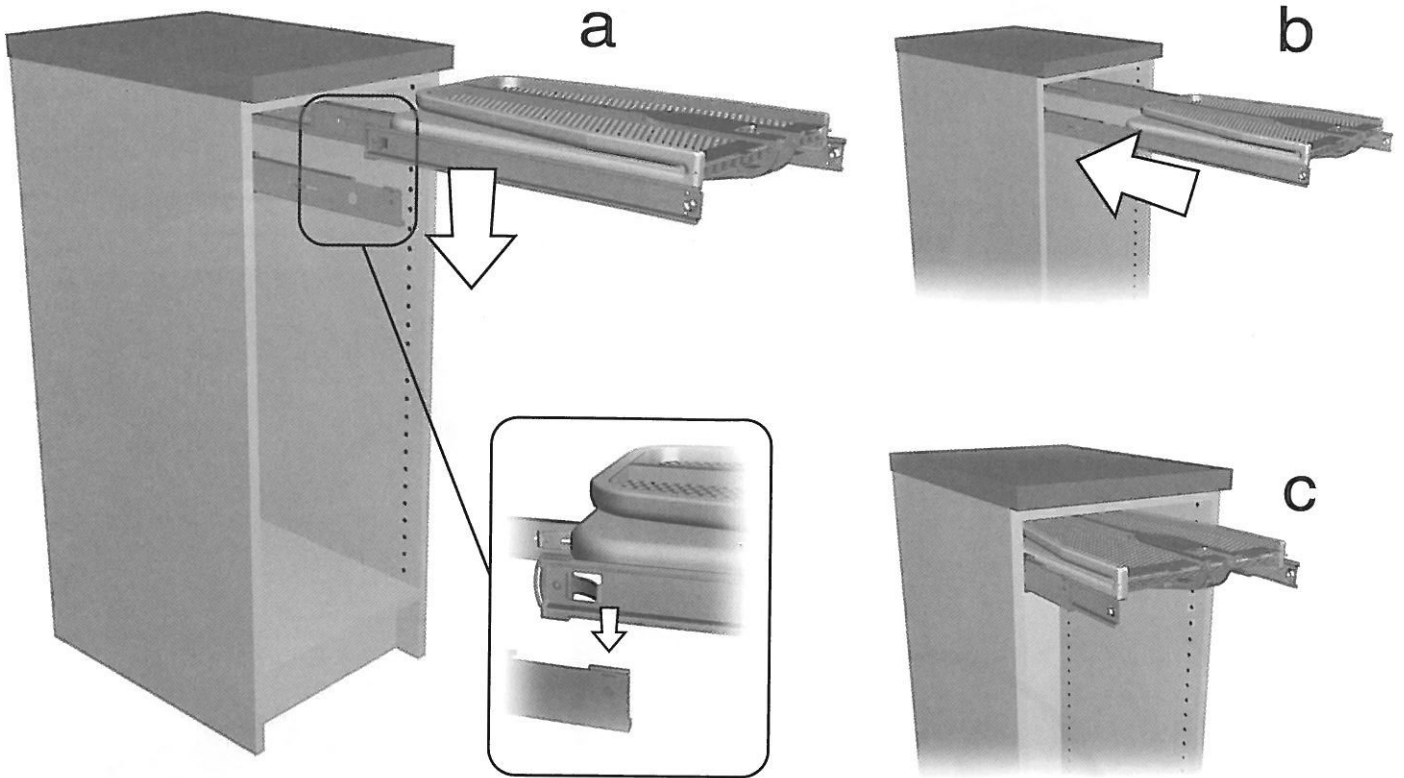
3



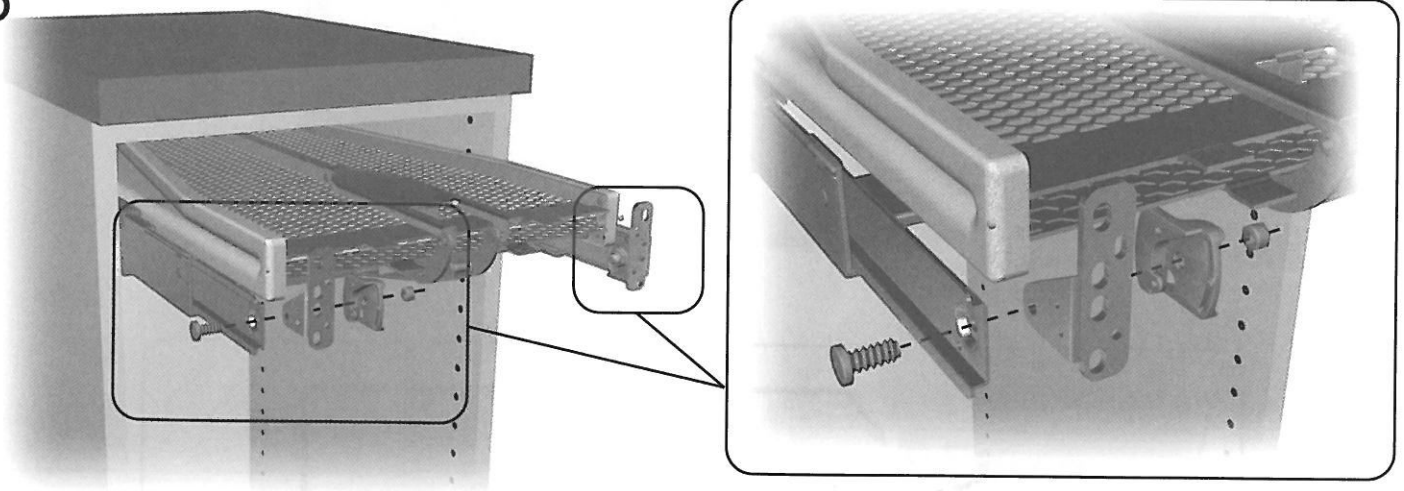
4



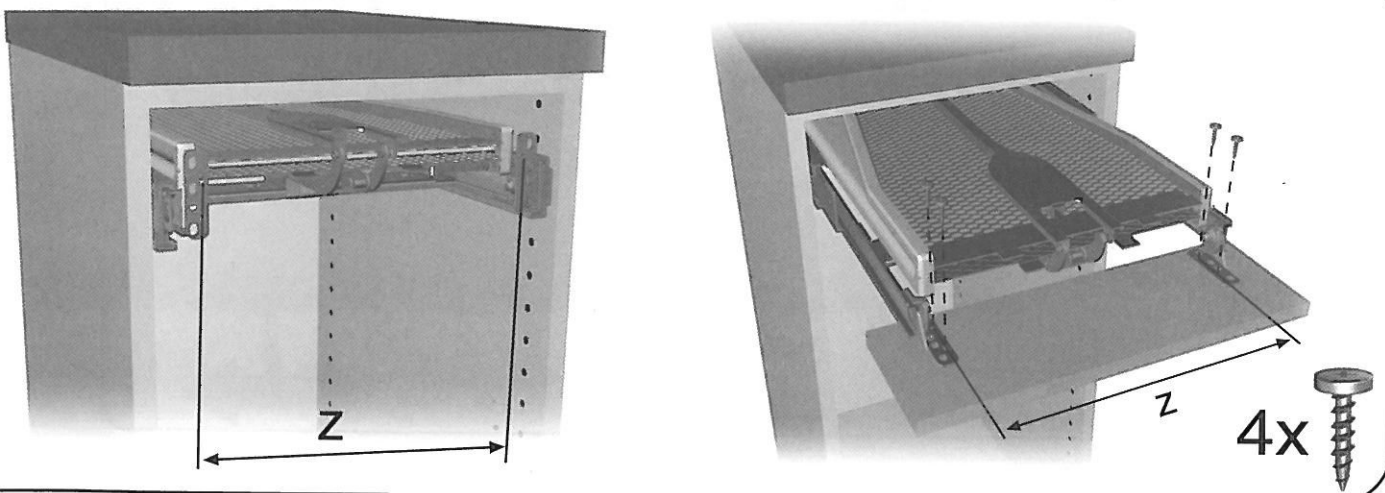
5



6



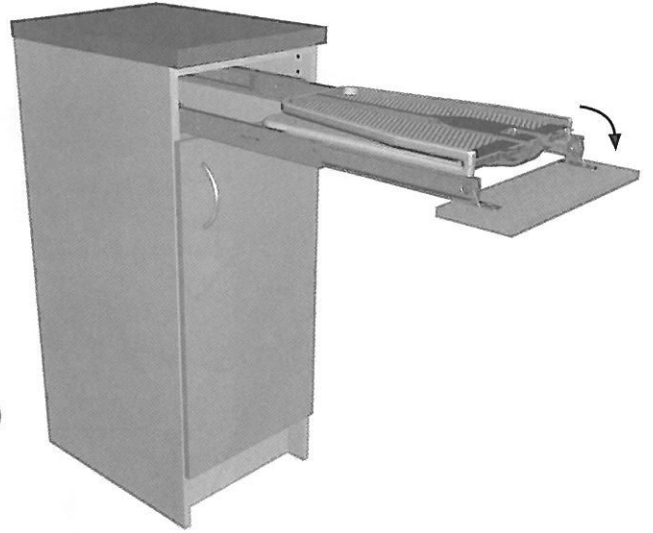
7



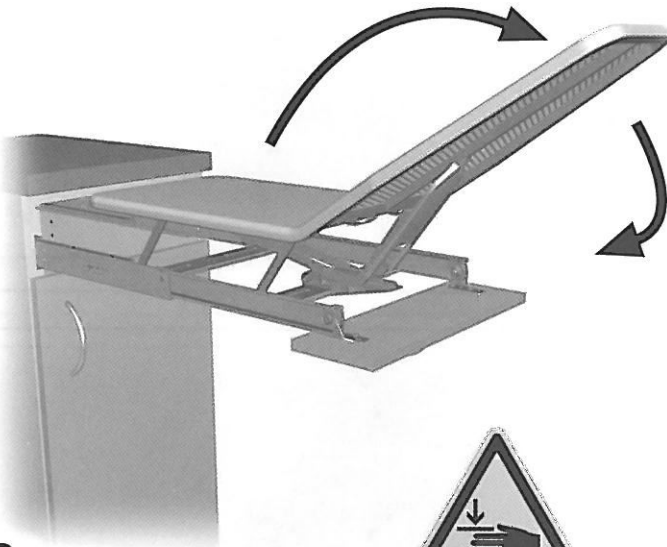
8



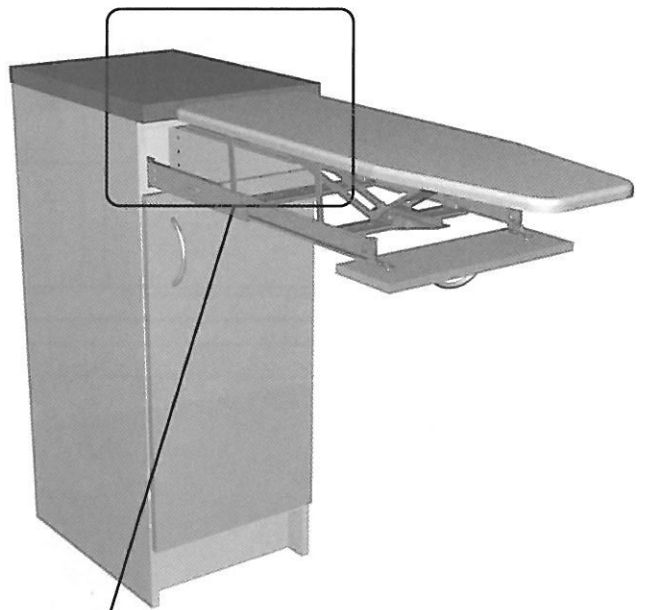
a



b



c



d

