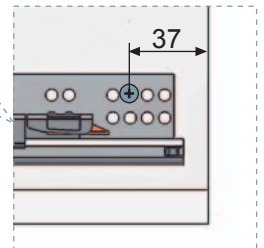
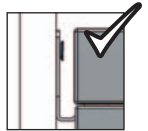
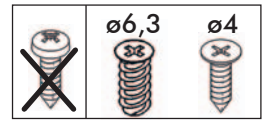
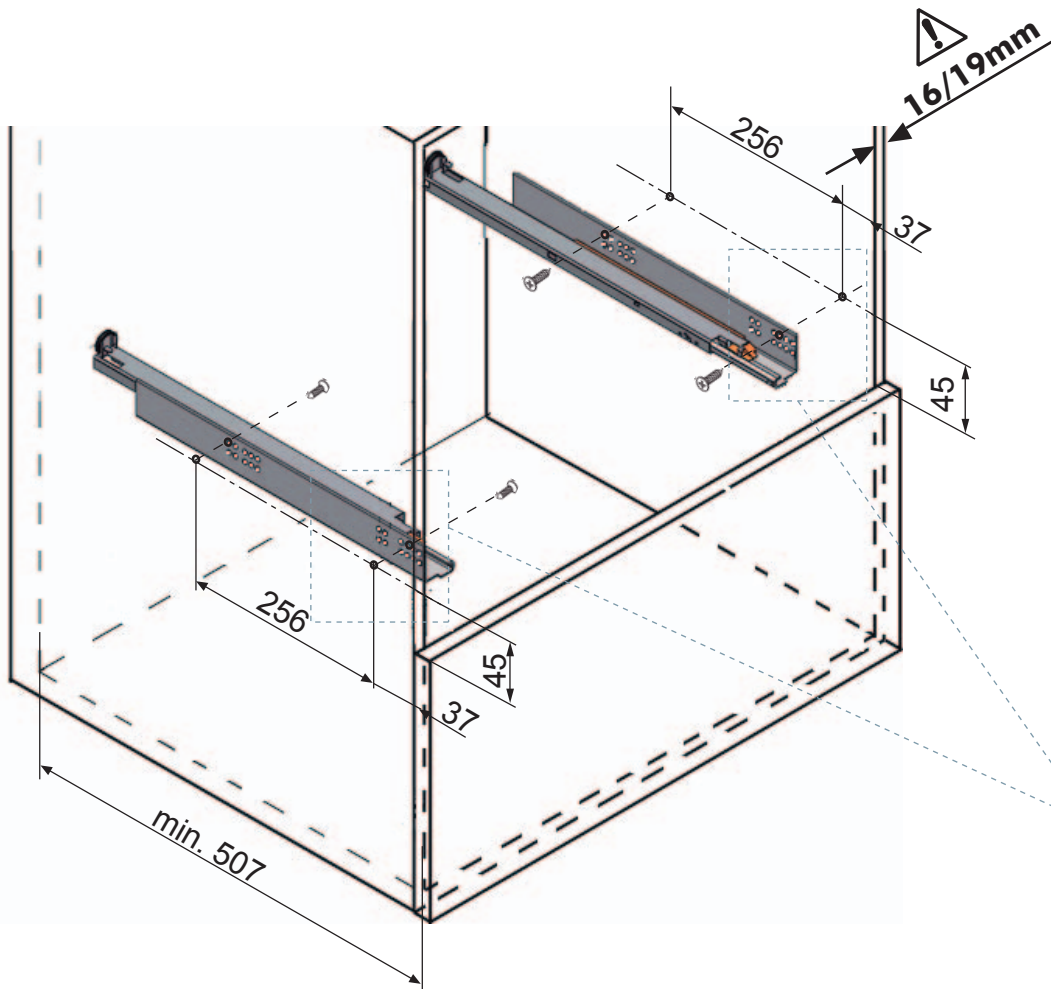
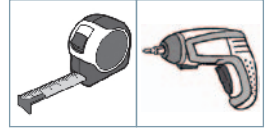
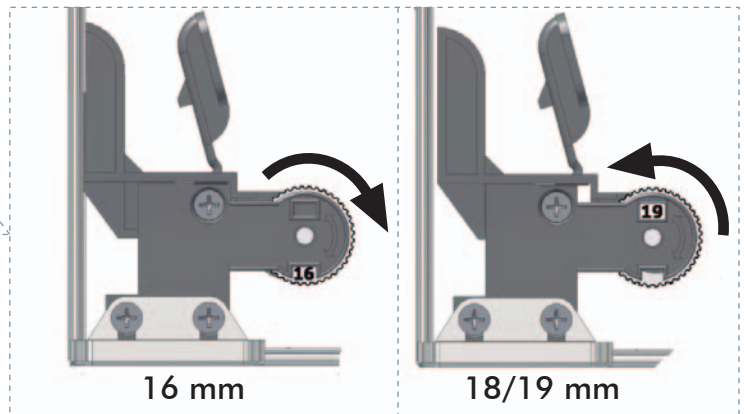
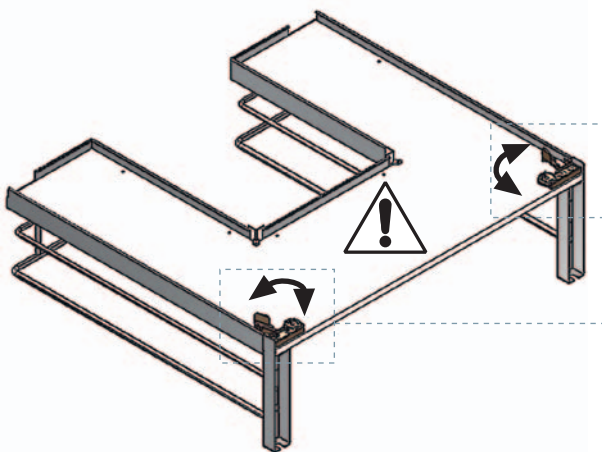


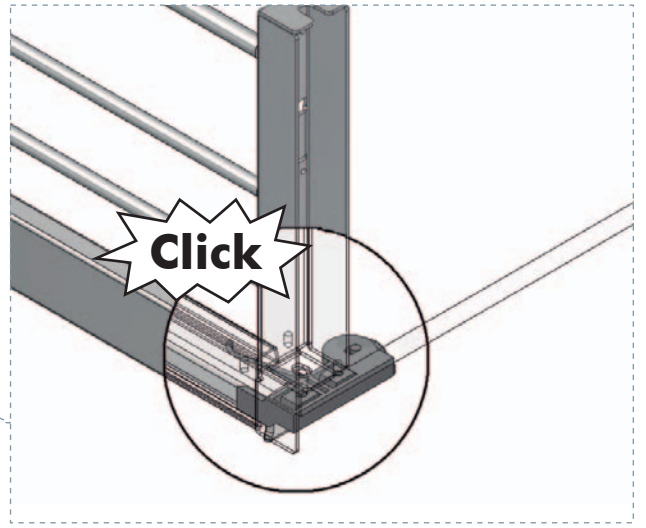
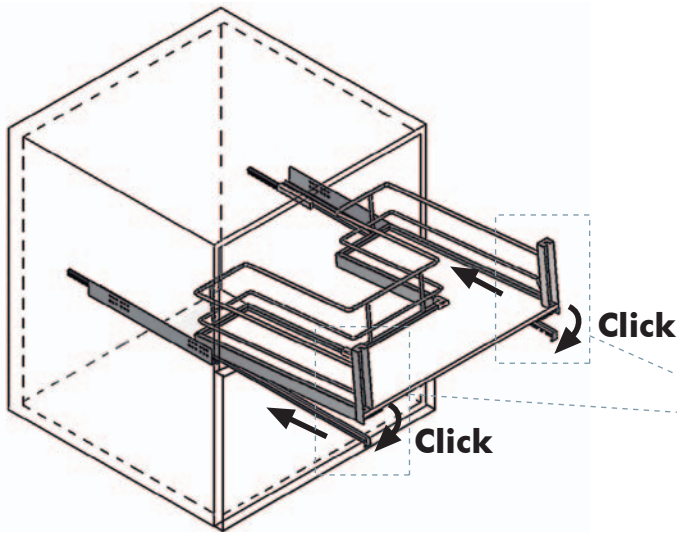
1



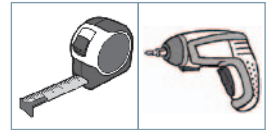
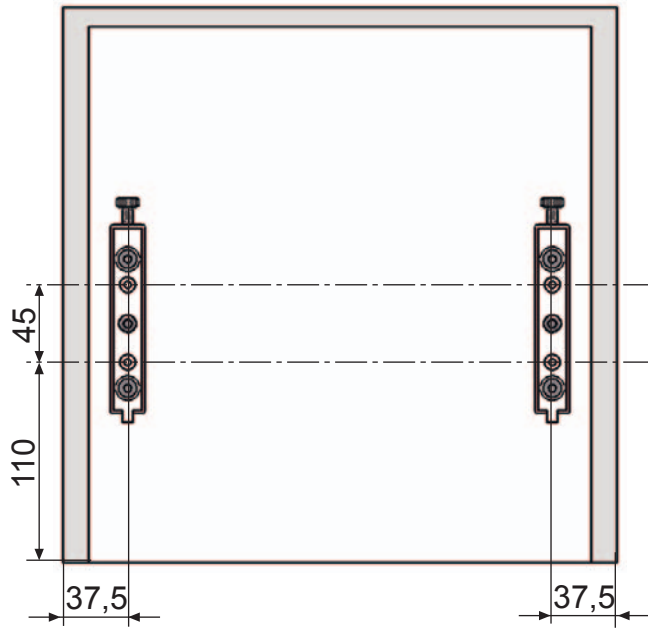
2



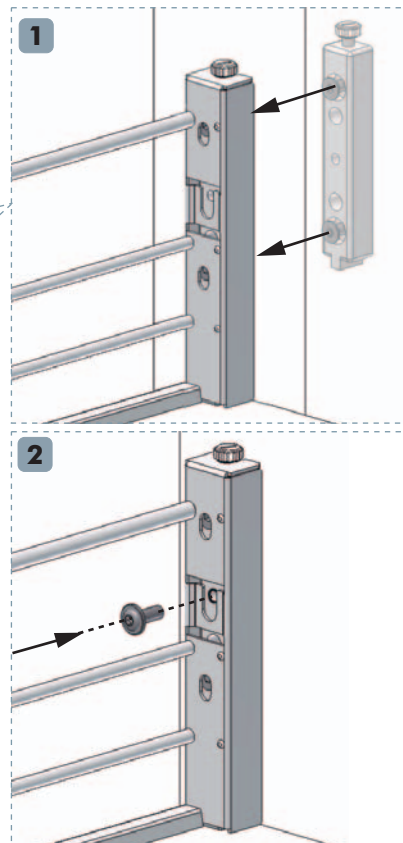
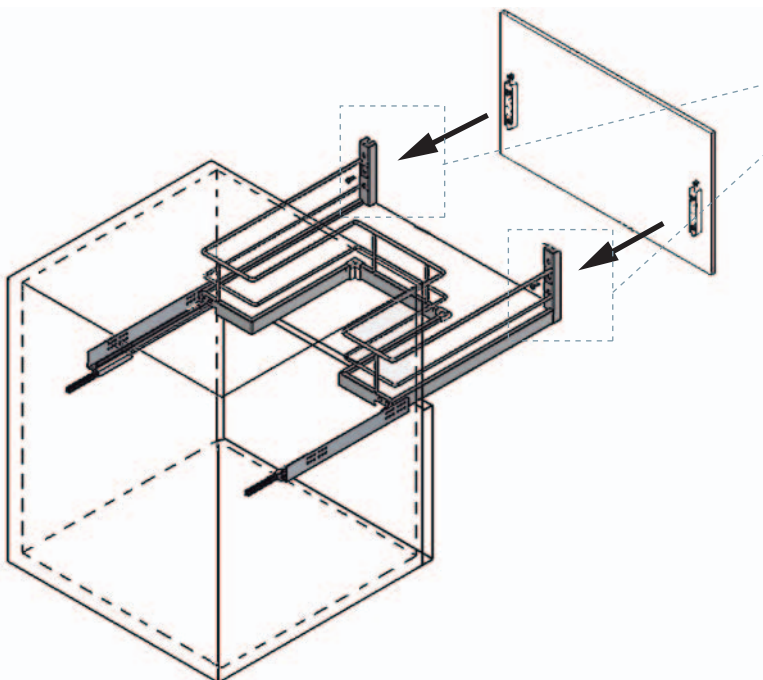
3



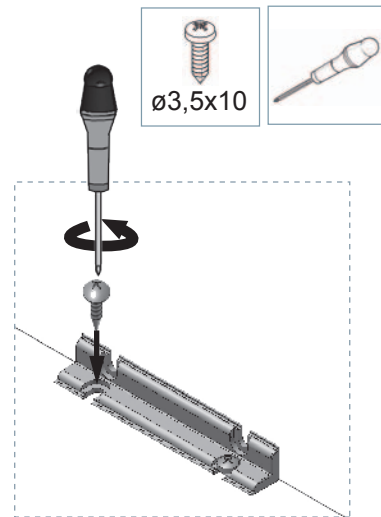
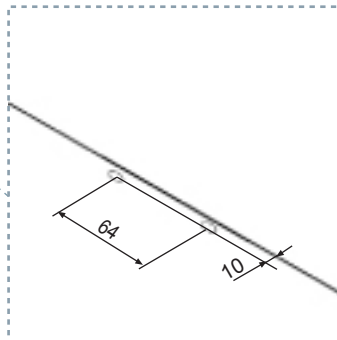
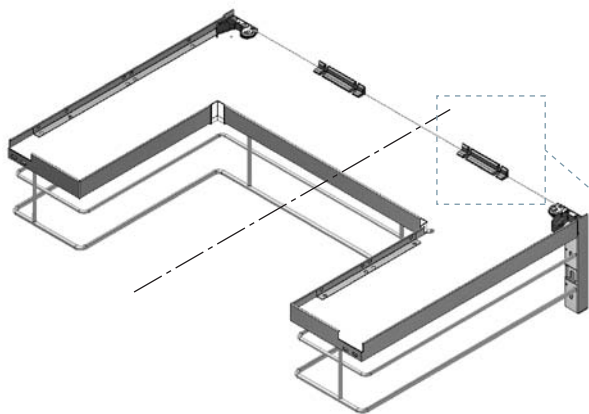
4



5

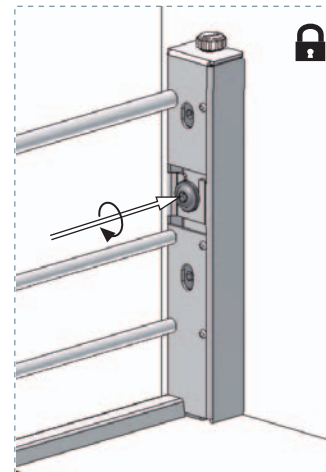
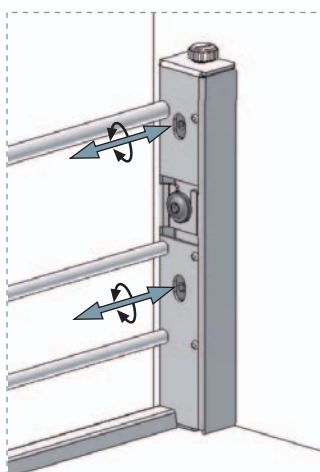
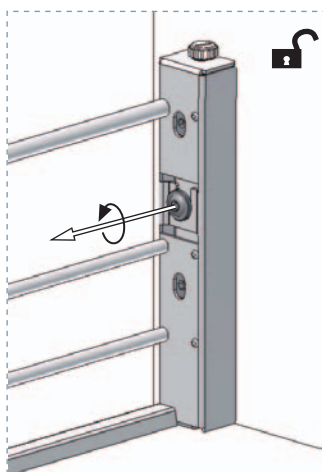
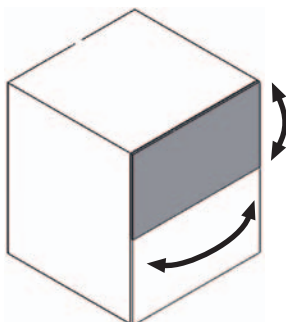
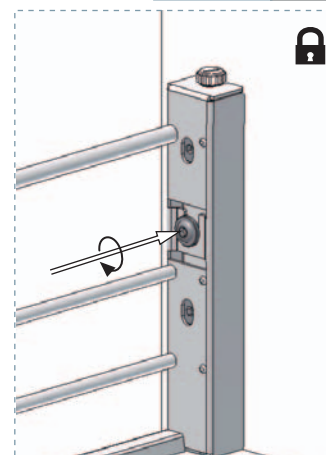
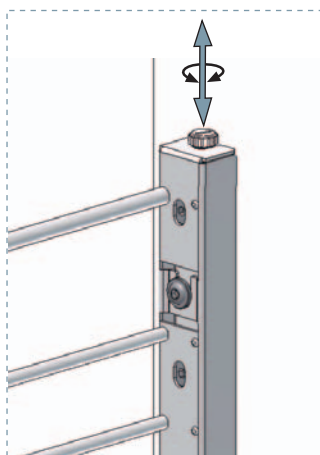
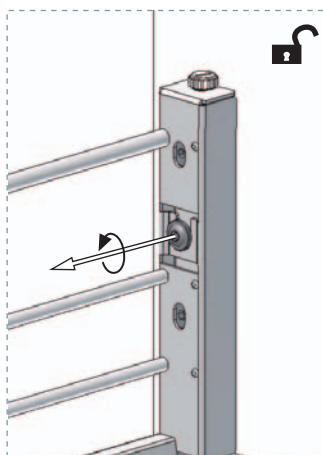
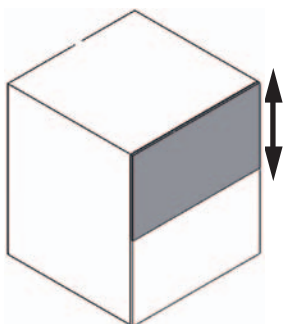


6

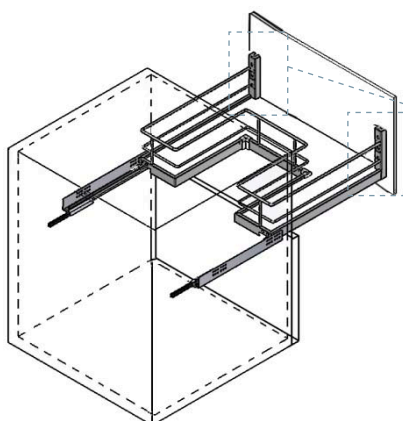


7

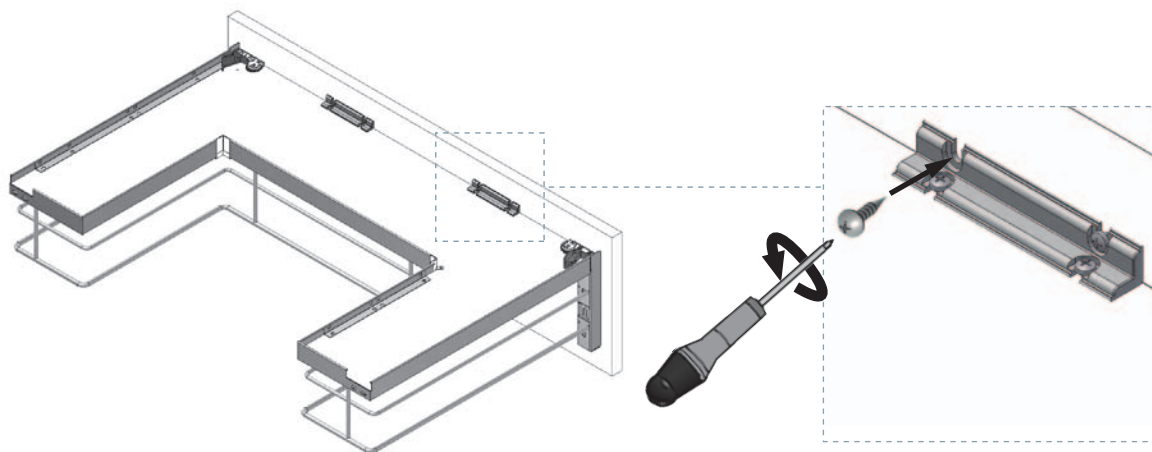
/ Front regulation



8

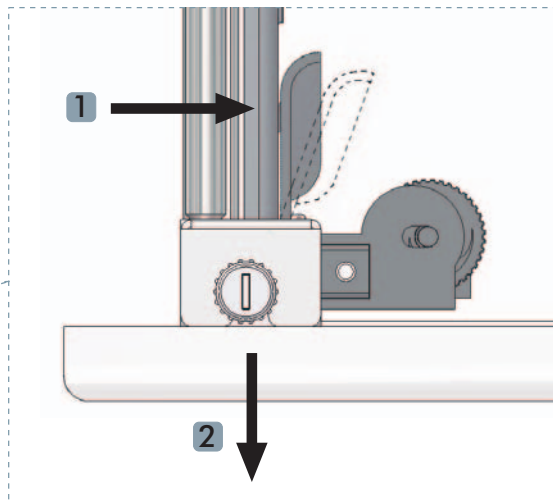
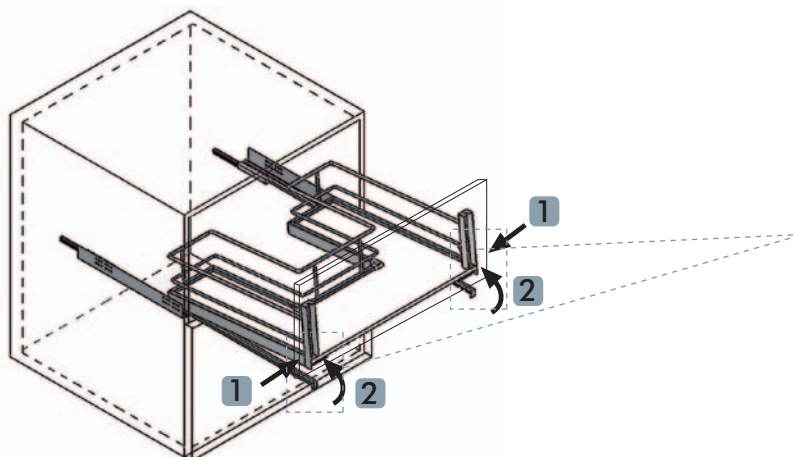


9

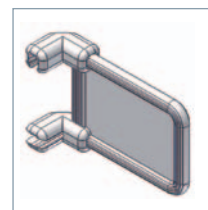
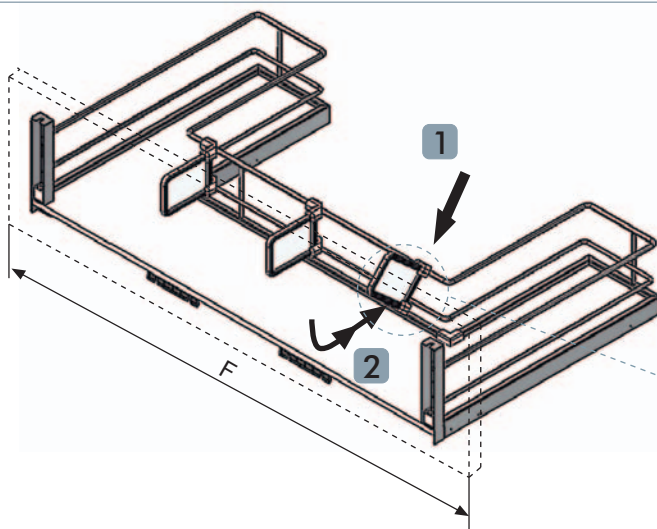



10

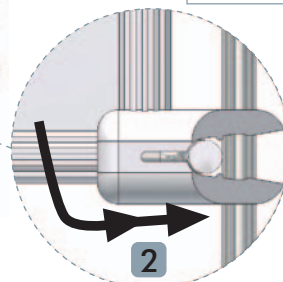
/ Dismount



11



F	
600	2
800	3
900	4



12

